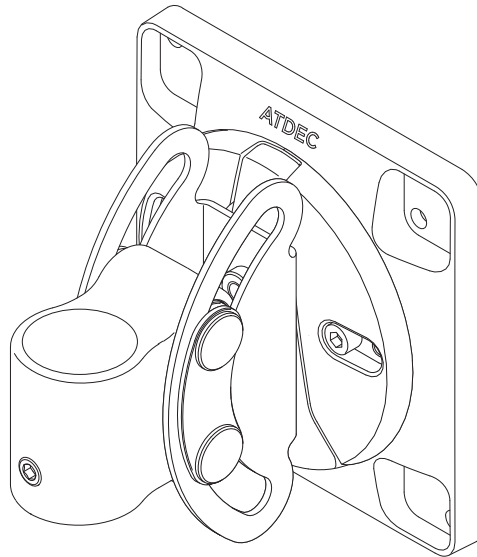
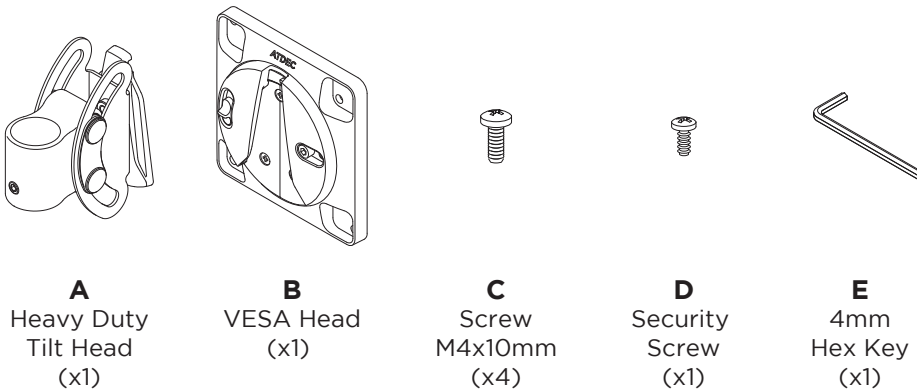


# AWM QR HD VESA Tilt Head



### COMPONENT CHECKLIST



### REQUIRED TOOLS

- Phillips Head Screwdriver

### WEIGHT RANGE

#### Flat Monitors

0 - 18kg  
(0 - 40lbs)

#### Curved Monitors

0 - 12kg  
(0 - 26.5lbs)

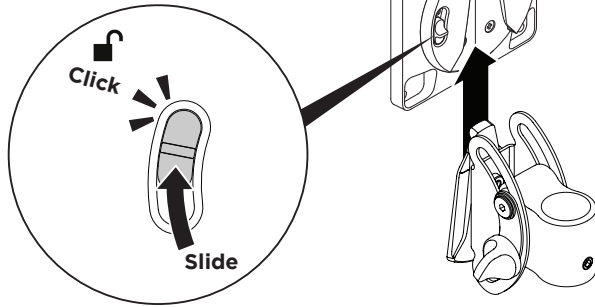
Monitor weight should be within the weight range of all modular elements that make up the complete monitor mounting solution.

### IMPORTANT INFORMATION

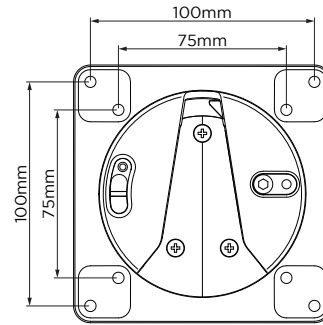
- ! Please ensure this product is installed as per these installation instructions.
- ! Do not remove/ throw away the black plastic sleeve on the channel clamp, arm links or arm base.
- ! The manufacturer accepts no responsibility for incorrect installation.
- ! This product is not suitable for outdoor use or mobile applications.
- ! Do not over-tighten screws and adjustment points on product.
- ! This product is compatible with AWM Series monitor arm products: AWM-AHX, AWM-LC, AWM-A46T & AWM-A71T.
- ! VESA mounted accessories (such as mini PC brackets and mounts), offset VESA locations, and unevenly weighted monitors (relative to the center of the VESA mounting interface) exert additional leverage that can exceed the capacity of the mount even though the monitor weight may be within the stated range. Please contact Atdec if you would like further information.

## 1. Attach VESA head to monitor

**1.1** Slide release switch up and click into unlocked position, then remove VESA head from the tilt head.

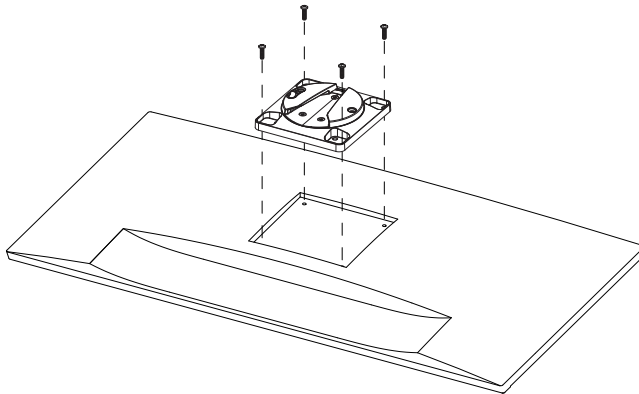


**1.2** Check VESA mounting compatibility of monitor.

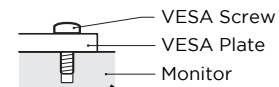


**NOTE:** For other sizes, use a suitable adaptor plate (sold separately).

**1.3** Attach VESA head onto monitor with provided screws. (Alternatively, use fasteners specified by the monitor manufacturer).



**NOTE:** Ensure screw length suits the monitor VESA mounting holes.

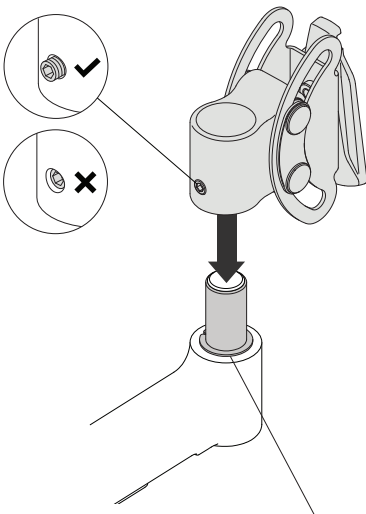


OK



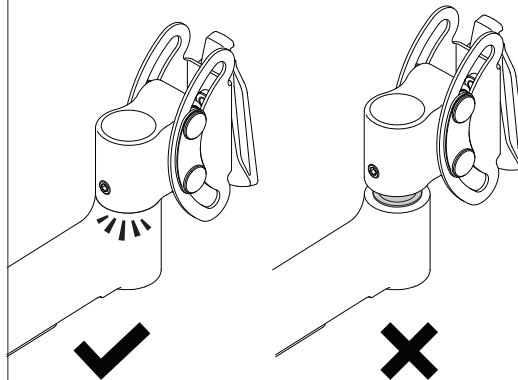
## 2. Attach tilt head onto arm

**2.1** Push tilt head onto the shaft at the end of the monitor arm.

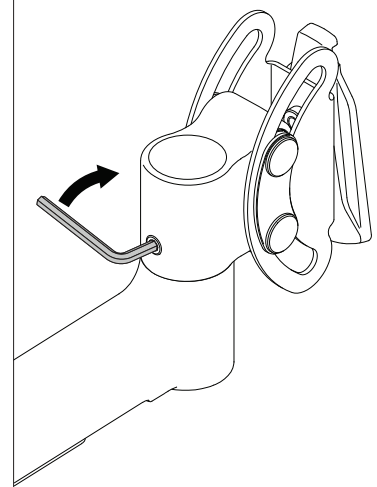


**IMPORTANT!** Ensure plastic sleeve is fitted on shaft before attaching tilt head.

**2.2** Ensure tilt head is fully pushed onto shaft.



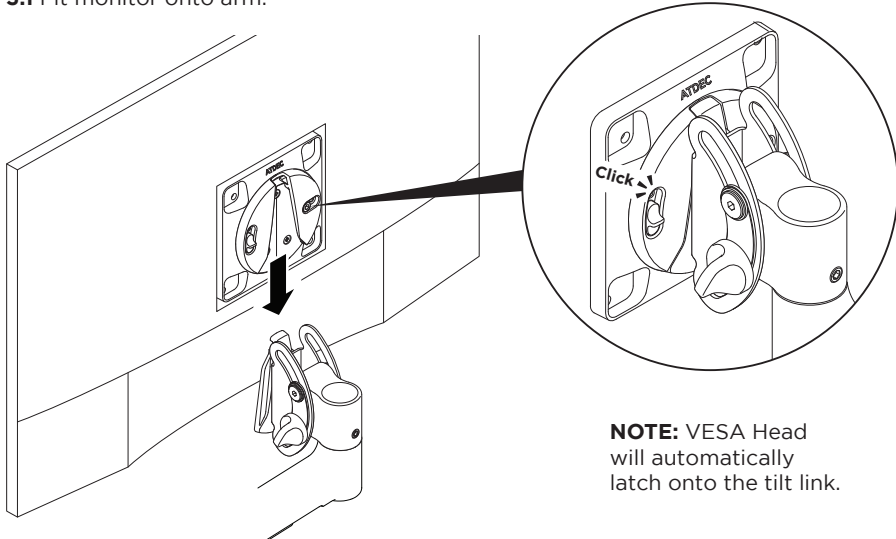
**2.3** Tighten the joint screw with 4mm Hex Key.



**NOTE:** Check the tilt head rotation is smooth after tightening.

### 3. Attach monitor to arm

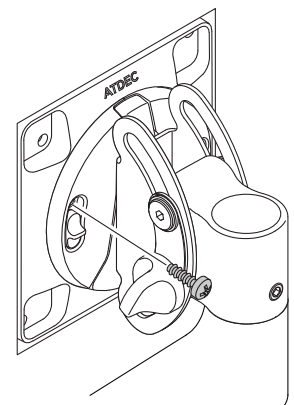
3.1 Fit monitor onto arm.



**NOTE:** VESA Head will automatically latch onto the tilt link.

3.2 OPTIONAL SECURITY SCREW

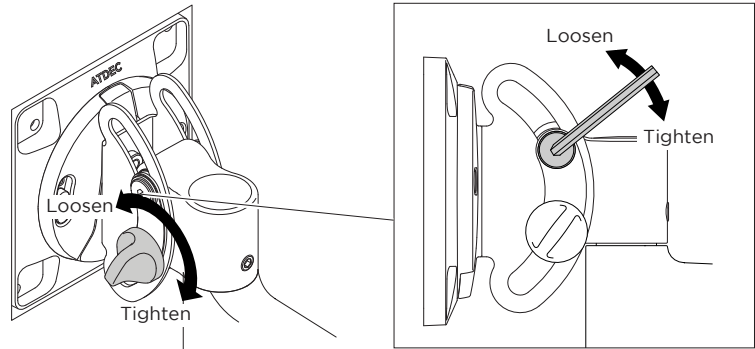
If desired, once monitor is attached to the arm, install the security screw. This disables the release switch, preventing theft.



### 4. Adjust tilt tension

4.1 Use the knob to tighten and loosen the tilt tension to suit your monitor weight.

**NOTE:** Always support the monitor whilst adjusting to prevent it from falling forward sharply.



**IMPORTANT**  
If extra tilt tension is required for your monitor, use 4mm Hex Key to tighten second tilt screw.

### 5. (OPTIONAL) Adjust rotation tension

5.1 Adjust the rotation tension using 4mm Hex Key. Adjustment may only be required for large or ultrawide monitors.

