

AWM Modular Components

Index

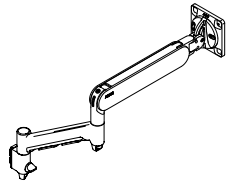
Standard Product System Diagram		Page 2
Heavy-Duty Product System Diagram		Page 3
Heads		
AWM-LTHT	AWM QR HD Tilt Head	Dimensions Page 4
AWM-BT	AWM Tilt Bracket	
Arms		
AWM-A13T	130 Arm	Overview Page 5
AWM-A46T	460 Arm	Dimensions on Post Page 6
AWM-A71T	710 Arm	Height Adjustment on Posts Page 7
		Height Adjustment on Wall Channels Page 8
Dynamic Arms		
AWM-ADTC	AWM Dynamic Arm for Post	Overview Page 10
AWMS-HXB-H--V	Fortis Monitor Arm	
AWM-AHX	HD Dynamic Arm	Dimensions on Post Page 12
		Height Adjustment on Posts & Wall Channels Page 14
Posts		
AWM-P13	135 Post	Dimensions Page 16
AWM-P40G	400 Post	
AWM-P75G	750 Post	
AWM-P40X	AWM Post 40 Stackable	
Wall Fixings		
AWM-W6	60 Wall Channel	Dimensions Page 17
AWM-W35	350 Wall Channel	
Arm Fixings		
AWM-LB	Arm Base	Dimensions Page 17
AWM-LC	Channel Clamp	
Fixings		
AWM-FB	Bolt Through Kit	Dimensions Page 18
AWM-FC	C Clamp	Dimensions
AWM-FF	F Clamp	Dimensions Page 19
AWM-FH	Heavy Duty F Clamp	Dimensions
AC-GC	Grommet Clamp	Dimensions
AWM-WS	Slat Wall Adaptor	Dimensions Page 20
AWM-W	Single Wall Bracket	
Accessories		
AC-MP	Mini PC Mounting Plate	Page 20
AWM-N	Laptop Tray	

STANDARD PRODUCT SYSTEM DIAGRAM

IMPORTANT

- Any mounting surface must be capable of supporting the combined weight of all products, including attached displays and devices.
- Products connected by a line are compatible.

DYNAMIC ARMS

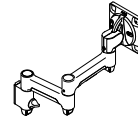


AWM Dynamic Arm for Post
AWM-ADTC

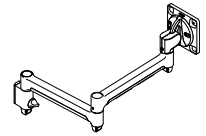
SWING ARMS



130 Arm
AWM-A13T



460 Arm
AWM-A46T

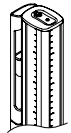


710 Arm
AWM-A71T

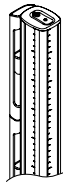
POSTS



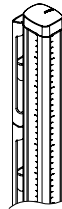
135 Post
AWM-P13



400 Post
AWM-P40G



750 Post
AWM-P75G



P40X Post
AWM-P40X **OR** (2x)
AWM-P40X + AWM-X40
Products sold separately

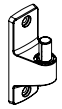
WALL



60 Wall Channel
AWM-W6



350 Wall Channel
AWM-W35



Single Wall Bracket
AWM-W

FIXINGS



Bolt Through Kit
AWM-FB



F Clamp
AWM-FF



C Clamp
AWM-FC



Heavy Duty F Clamp
AWM-FH



Grommet Clamp
AC-GC

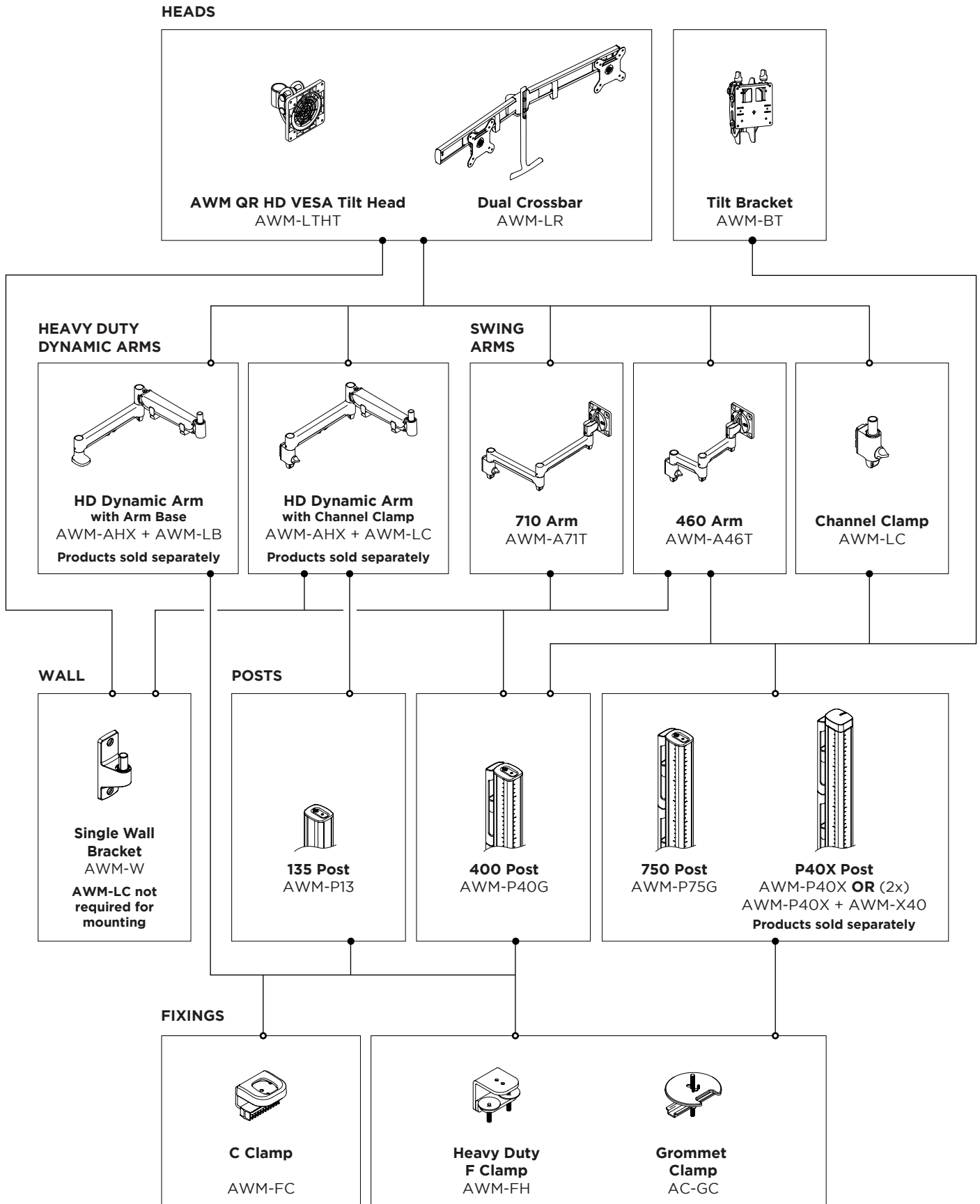


Slat Wall Adaptor
AWM-WS

HEAVY-DUTY PRODUCT SYSTEM DIAGRAM

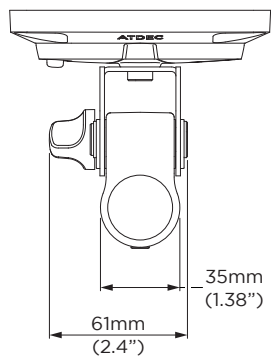
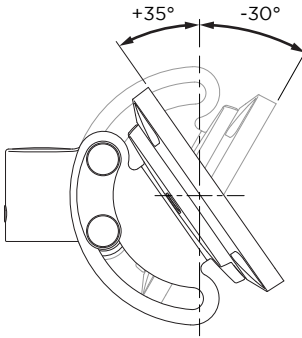
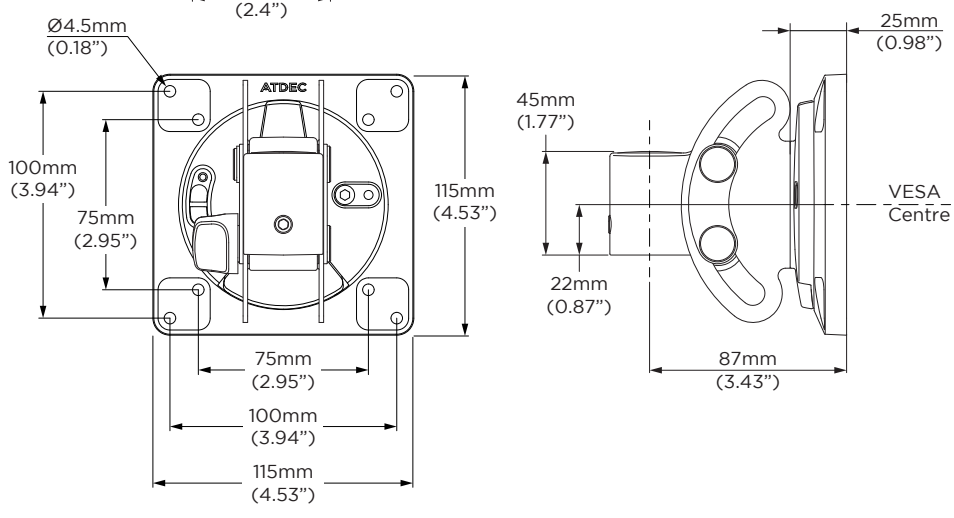
IMPORTANT

- Any mounting surface must be capable of supporting the combined weight of all products, including attached displays and devices.
- Products connected by a line are compatible.

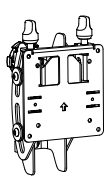


HEADS

AWM QR HD VESA Tilt Head AWM-LTHT

<p>Dimensions</p> 	<p>Tilt Angle</p> 
	<p>CAPACITY</p> <p>Flat Monitors 0-18kg (0-40lb)</p> <p>Curved Monitors 0-12kg (0-26.5lb)</p> <p>Monitor weight should be within the weight range of all modular elements that make up the complete monitor mounting solution.</p>
	<p>Warranty</p> <p>10 years limited</p>

AWM Tilt Bracket AWM-BT

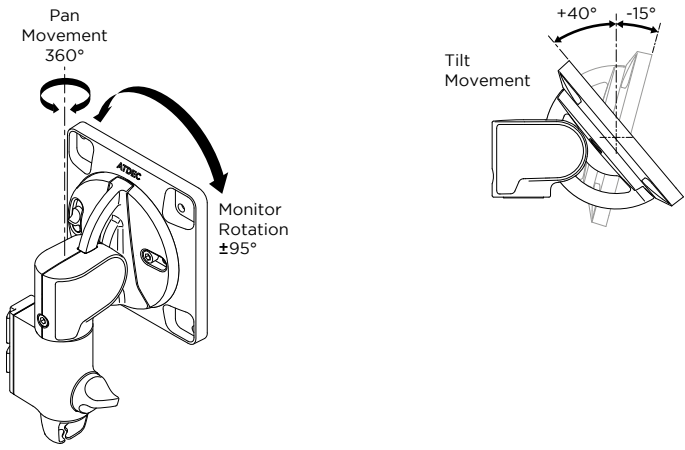
<p>IMPORTANT</p> <ul style="list-style-type: none"> • Maximum flat display weight load 25kg (55 lbs). • Maximum curved display weight load 18kg (40 lbs). • Monitor weight should be within the weight range of all modular elements that make up the complete monitor mounting solution. • 10 years limited warranty. • For further details refer to the Tilt Bracket AWM-BT Technical Specifications document. 	
--	---

ARMS OVERVIEW

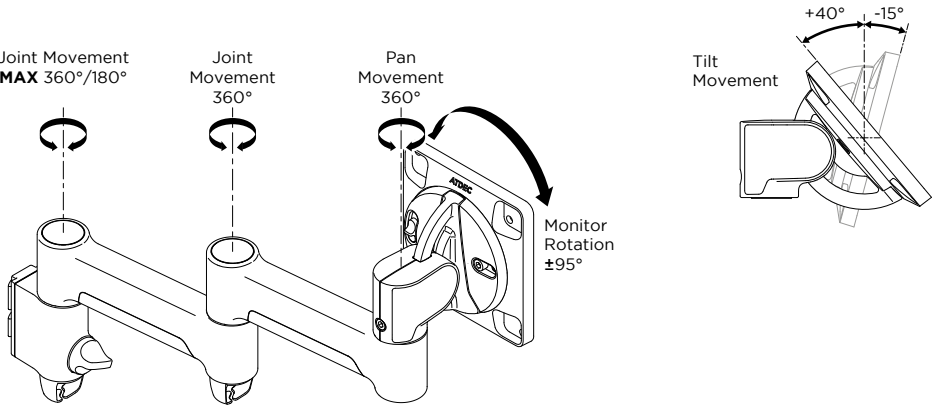
IMPORTANT

- AWM-A46T and AWM-A71T include a 180° rotation stop feature at the channel clamp pivot, to prevent interference with walls and workstation dividers. This feature can be activated or removed. See arm installation instructions for details.
- Monitor weight should be within the weight range of all modular elements that make up the complete mounting solution.
- Contact Atdec for advice if you have a display/device that exceeds 140mm in overall depth.

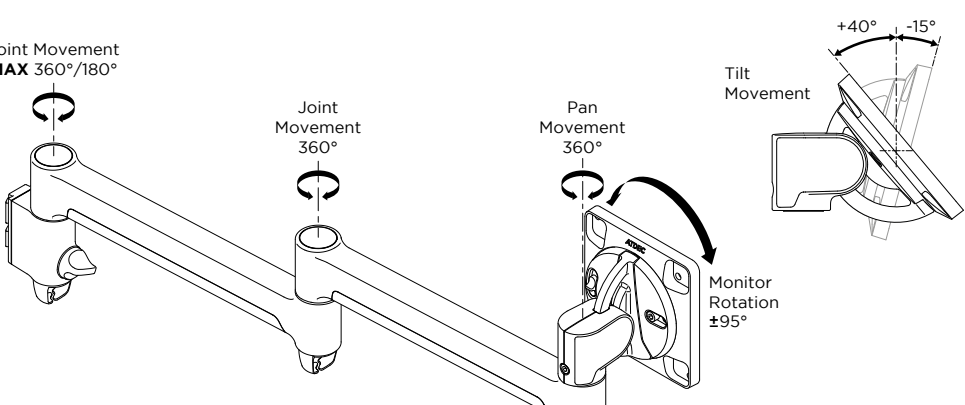
130 Arm AWM-A13T

 <p>Pan Movement 360°</p> <p>Monitor Rotation ±95°</p> <p>Tilt Movement +40° -15°</p>	<p>CAPACITY</p> <p>Flat Monitors 0-12kg (0-26.5lb)</p> <p>Curved Monitors 0-10kg (0-22lb)</p> <p>Curved monitors with an overall depth up to 140mm (5.5")</p> <p>Monitor weight should be within the weight range of all modular elements that make up the complete monitor mounting solution.</p> <p>Warranty 10 years limited</p>
---	---

460 Arm AWM-A46T

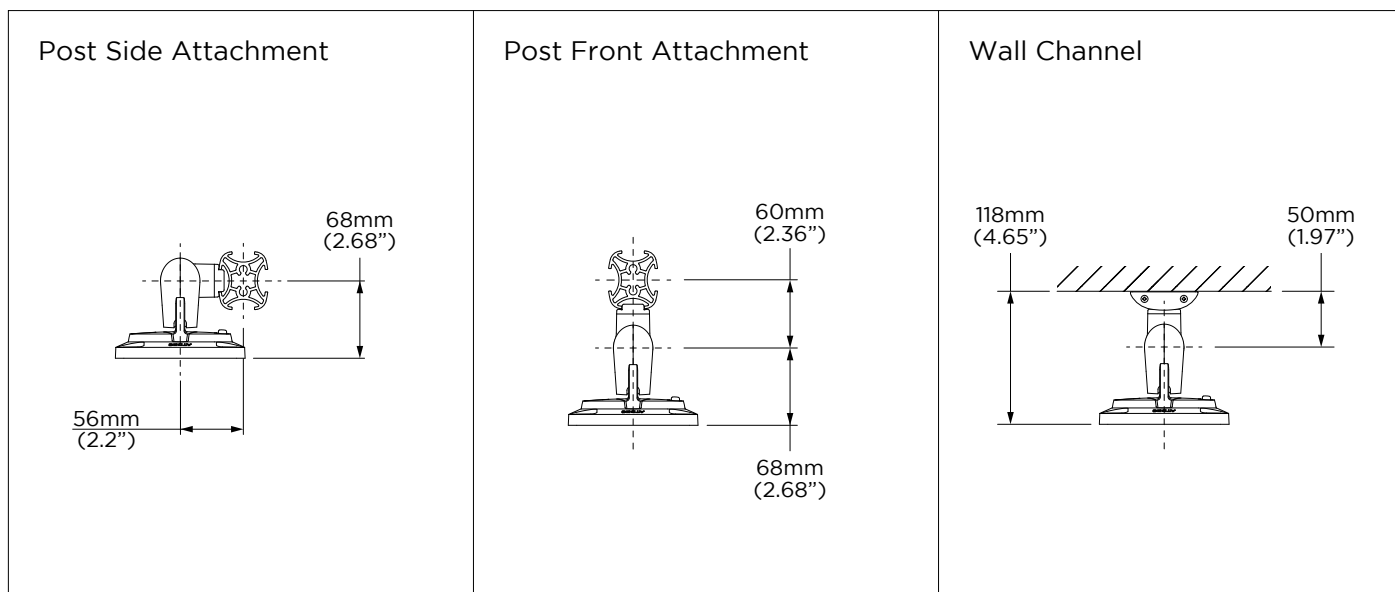
 <p>Joint Movement MAX 360°/180°</p> <p>Joint Movement 360°</p> <p>Pan Movement 360°</p> <p>Monitor Rotation ±95°</p> <p>Tilt Movement +40° -15°</p>	<p>CAPACITY</p> <p>Flat Monitors 0-12kg (0-26.5lb)</p> <p>Curved Monitors 0-10kg (0-22lb)</p> <p>Curved monitors with an overall depth up to 140mm (5.5")</p> <p>Monitor weight should be within the weight range of all modular elements that make up the complete monitor mounting solution.</p> <p>Warranty 10 years limited</p>
--	---

710 Arm AWM-A71T

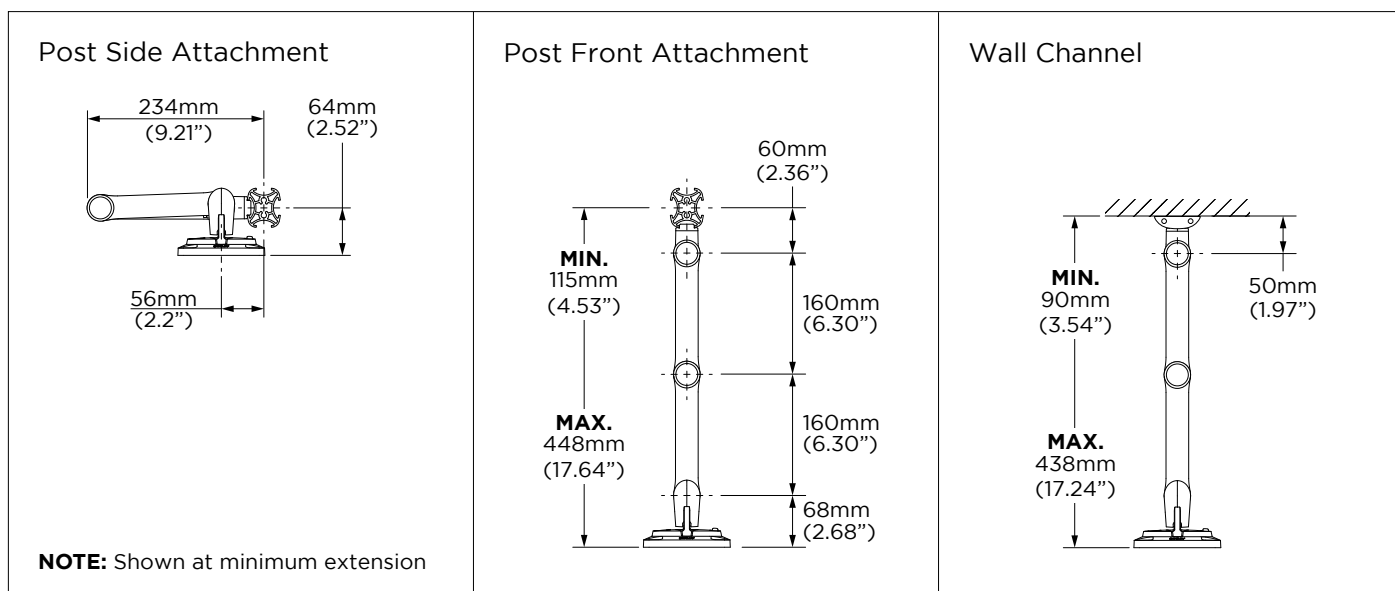
 <p>Joint Movement MAX 360°/180°</p> <p>Joint Movement 360°</p> <p>Pan Movement 360°</p> <p>Monitor Rotation ±95°</p> <p>Tilt Movement +40° -15°</p>	<p>CAPACITY</p> <p>Flat Monitors 0-9kg (0-20lb)</p> <p>Curved Monitors 0-9kg (0-20lb)</p> <p>Curved monitors with an overall depth up to 140mm (5.5")</p> <p>Monitor weight should be within the weight range of all modular elements that make up the complete monitor mounting solution.</p> <p>Warranty 10 years limited</p>
--	---

ARMS DIMENSIONS

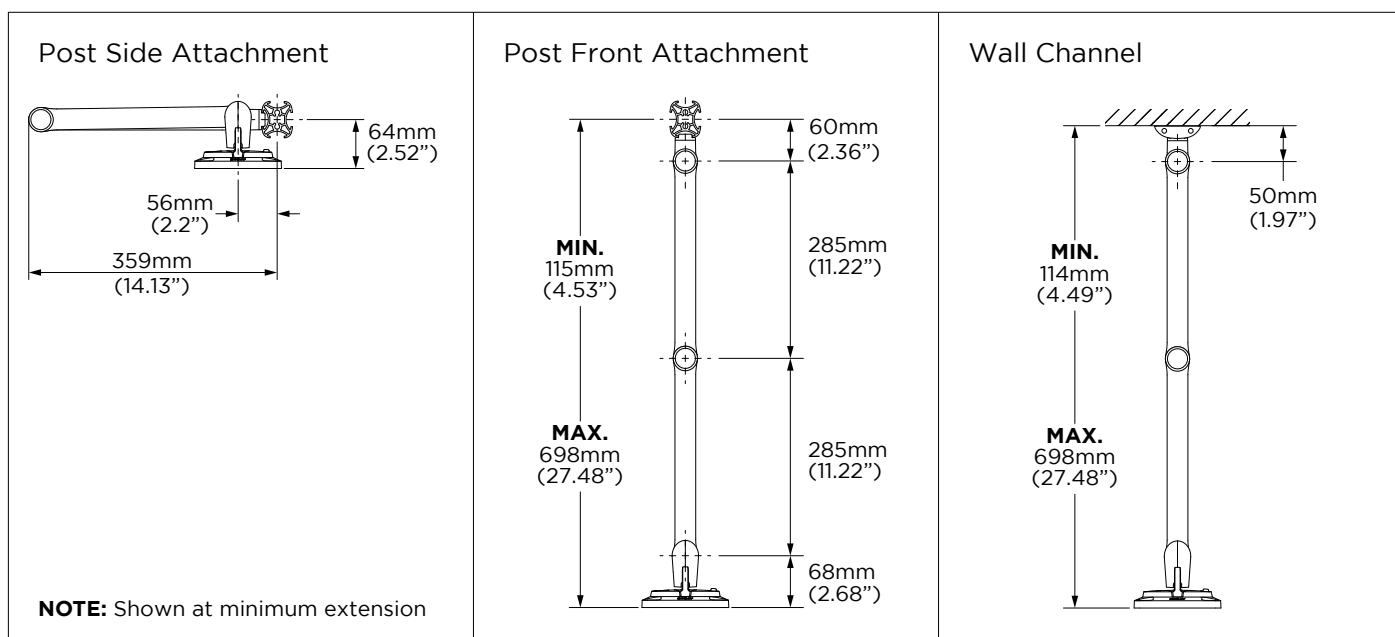
130 Arm AWM-A13T



460 Arm AWM-A46T



710 Arm AWM-A71T

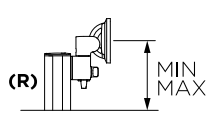
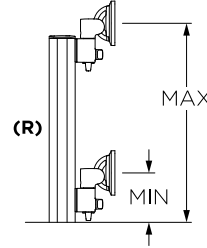
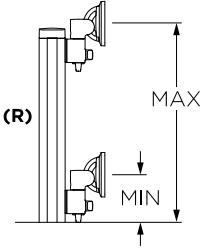


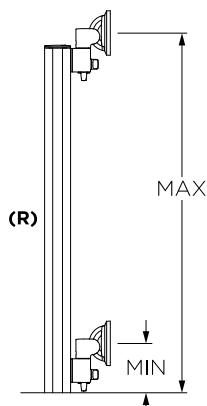
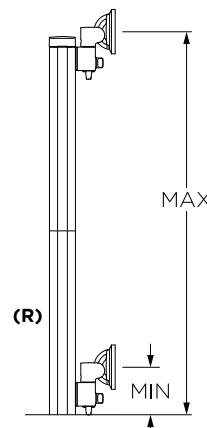
ARMS HEIGHT ADJUSTMENT ON POSTS

IMPORTANT

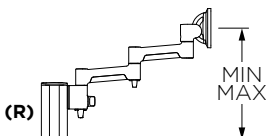
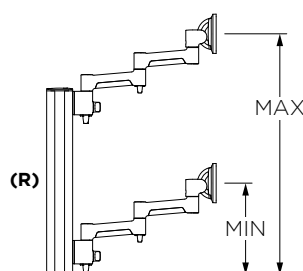
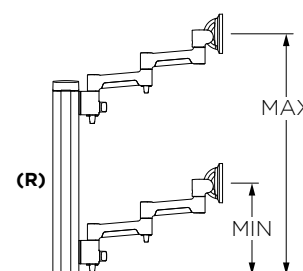
- Measurements taken from centre of VESA mount.
- The C Clamp (AWM-FC) increases the minimum height by 26mm (1.02”).

130 Arm AWM-A13T on Post

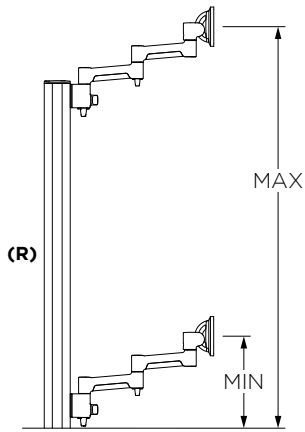
<p>135 Post AWM-P13</p>  <p>MIN HEIGHT 122mm (4.80") MAX HEIGHT 175mm (6.89") RANGE (R) 53mm (2.09")</p>	<p>400 Post AWM-P40G</p>  <p>MIN HEIGHT 122mm (4.80") MAX HEIGHT 440mm (17.32") RANGE (R) 318mm (12.52")</p>	<p>Unstacked 400 Post AWM-P40X</p>  <p>MIN HEIGHT 122mm (4.80") MAX HEIGHT 440mm (17.32") RANGE (R) 318mm (12.52")</p>
---	---	---

<p>750 Post AWM-P75G</p>  <p>MIN HEIGHT 122mm (4.80") MAX HEIGHT 790mm (31.10") RANGE (R) 668mm (26.3")</p>	<p>Stacked 800 Post 2x AWM-P40X + AWM-X40</p>  <p>MIN HEIGHT 122mm (4.80") MAX HEIGHT 840mm (33.07") RANGE (R) 718mm (28.27")</p>
---	---

460 Arm AWM-A46T on Post

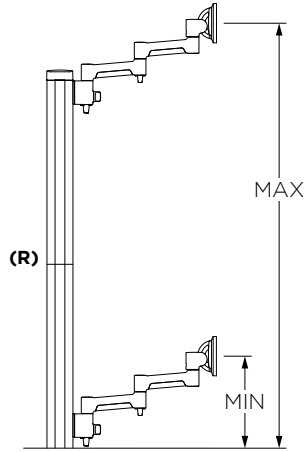
<p>135 Post AWM-P13</p>  <p>MIN HEIGHT 245mm (9.65") MAX HEIGHT 298mm (11.73") RANGE (R) 53mm (2.09")</p>	<p>400 Post AWM-P40G</p>  <p>MIN HEIGHT 245mm (9.65") MAX HEIGHT 563mm (22.17") RANGE (R) 318mm (12.52")</p>	<p>Unstacked 400 Post AWM-P40X</p>  <p>MIN HEIGHT 245mm (9.65") MAX HEIGHT 563mm (22.17") RANGE (R) 318mm (12.52")</p>
--	---	---

750 Post AWM-P75G



MIN HEIGHT 245mm (9.65")
MAX HEIGHT 913mm (35.94")
RANGE (R) 668mm (26.3")

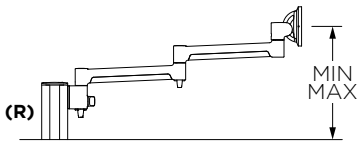
Stacked 800 Post
 2x AWM-P40X + AWM-X40



MIN HEIGHT 245mm (9.65")
MAX HEIGHT 963mm (37.91")
RANGE (R) 718mm (28.27")

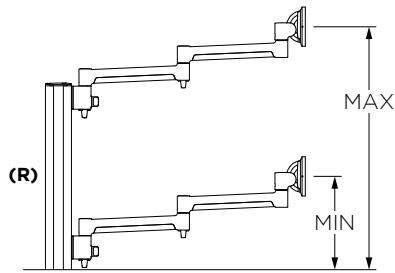
710 Arm AWM-A71T on Post

135 Post AWM-P13



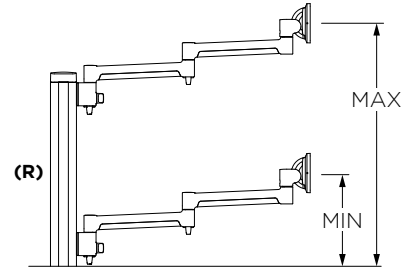
MIN HEIGHT 242mm (9.53")
MAX HEIGHT 295mm (11.61")
RANGE (R) 53mm (2.09")

400 Post AWM-P40G



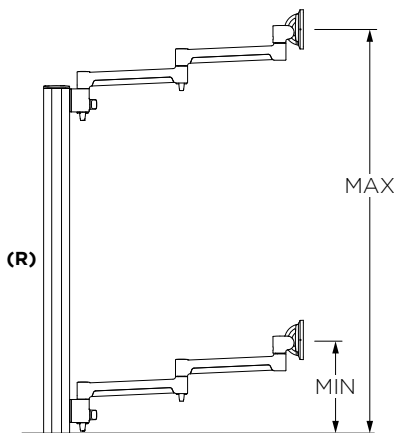
MIN HEIGHT 242mm (9.53")
MAX HEIGHT 560mm (22.05")
RANGE (R) 318mm (12.52")

Unstacked 400 Post
 AWM-P40X



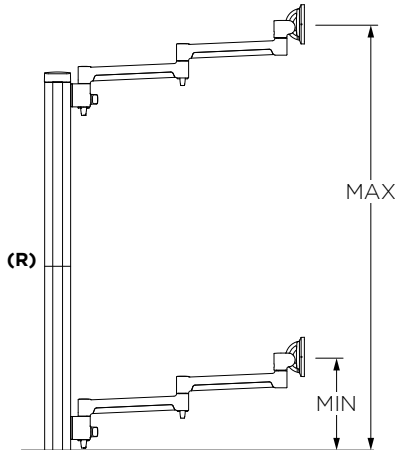
MIN HEIGHT 242mm (9.53")
MAX HEIGHT 560mm (22.05")
RANGE (R) 318mm (12.52")

750 Post AWM-P75G



MIN HEIGHT 242mm (9.53")
MAX HEIGHT 910mm (35.83")
RANGE (R) 668mm (26.3")

Stacked 800 Post
 2x AWM-P40X + AWM-X40



MIN HEIGHT 242mm (9.53")
MAX HEIGHT 960mm (37.8")
RANGE (R) 718mm (28.27")

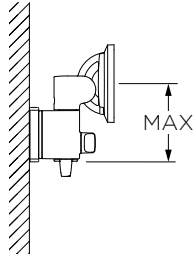
ARMS HEIGHT ADJUSTMENT ON WALL CHANNELS

IMPORTANT

- Measurements taken from bottom of wall channel to centre of VESA mount.

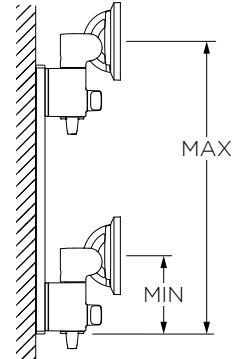
130 Arm AWM-A13T on Wall Channel

60 Wall Channel AWM-W6



FIXED HEIGHT 104mm (4.09")

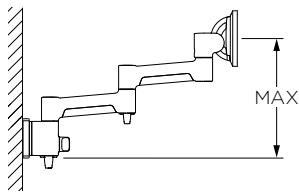
350 Wall Channel AWM-W35



MIN HEIGHT 104mm (4.09")
MAX HEIGHT 394mm (15.51")
RANGE (R) 290mm (11.42")

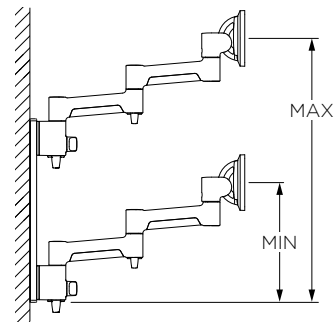
460 Arm AWM-A46T on Wall Channel

60 Wall Channel AWM-W6



FIXED HEIGHT 236mm (9.29")

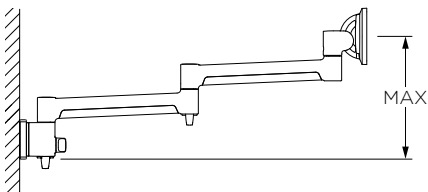
350 Wall Channel AWM-W35



MIN HEIGHT 236mm (9.29")
MAX HEIGHT 526mm (20.71")
RANGE (R) 290mm (11.42")

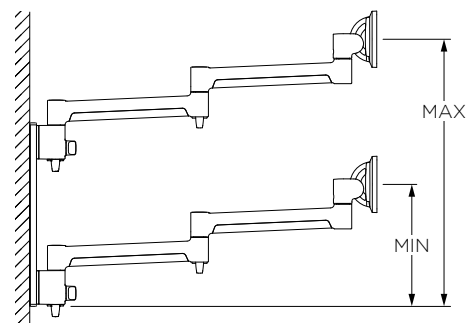
710 Arm AWM-A71T on Wall Channel

60 Wall Channel AWM-W6



FIXED HEIGHT 233mm (9.17")

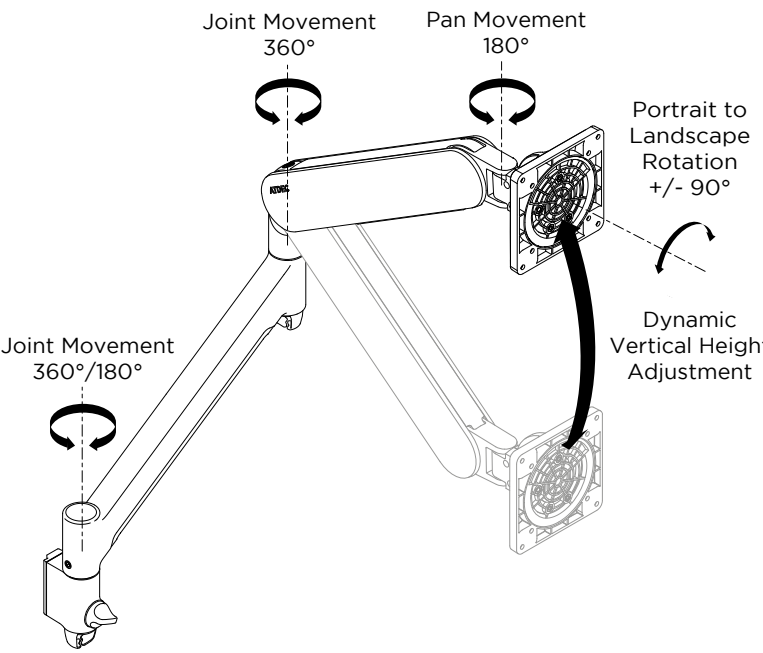
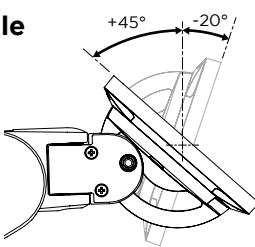
350 Wall Channel AWM-W35



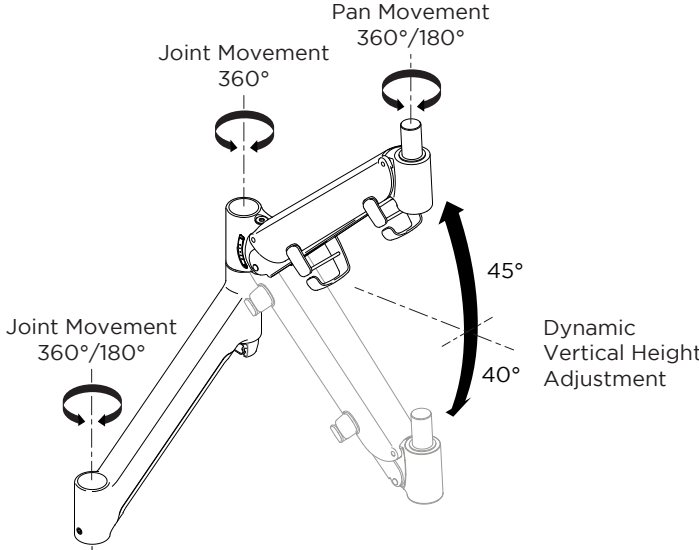
MIN HEIGHT 233mm (9.17")
MAX HEIGHT 523mm (20.59")
RANGE (R) 290mm (11.42")

DYNAMIC ARMS OVERVIEW

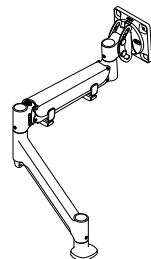
AWM Dynamic Arm for Post AWM-ADTC - Movement

 <p>Joint Movement 360°</p> <p>Pan Movement 180°</p> <p>Portrait to Landscape Rotation +/- 90°</p> <p>Dynamic Vertical Height Adjustment</p> <p>Joint Movement 360°/180°</p>	<p>Tilt Angle</p> 
<p>CAPACITY</p> <p>Flat Monitors 2-8kg (4.4-17.6lb)</p> <p>Curved Monitors 2-8kg (4.4-17.6lb) Suits display sizes up to 35" (curved or flat)</p> <p>Larger monitors within the weight capacity may be compatible, contact Atdec for advice.</p> <p>Monitor weight should be within the weight range of all modular elements that make up the complete monitor mounting solution.</p>	<p>NOTE</p> <ul style="list-style-type: none"> Compatible with AWM Posts, Wall Channels and Single Wall Bracket
<p>Warranty</p> <p>10 years limited</p>	

Heavy Duty Dynamic Arm AWM-AHX - Movement

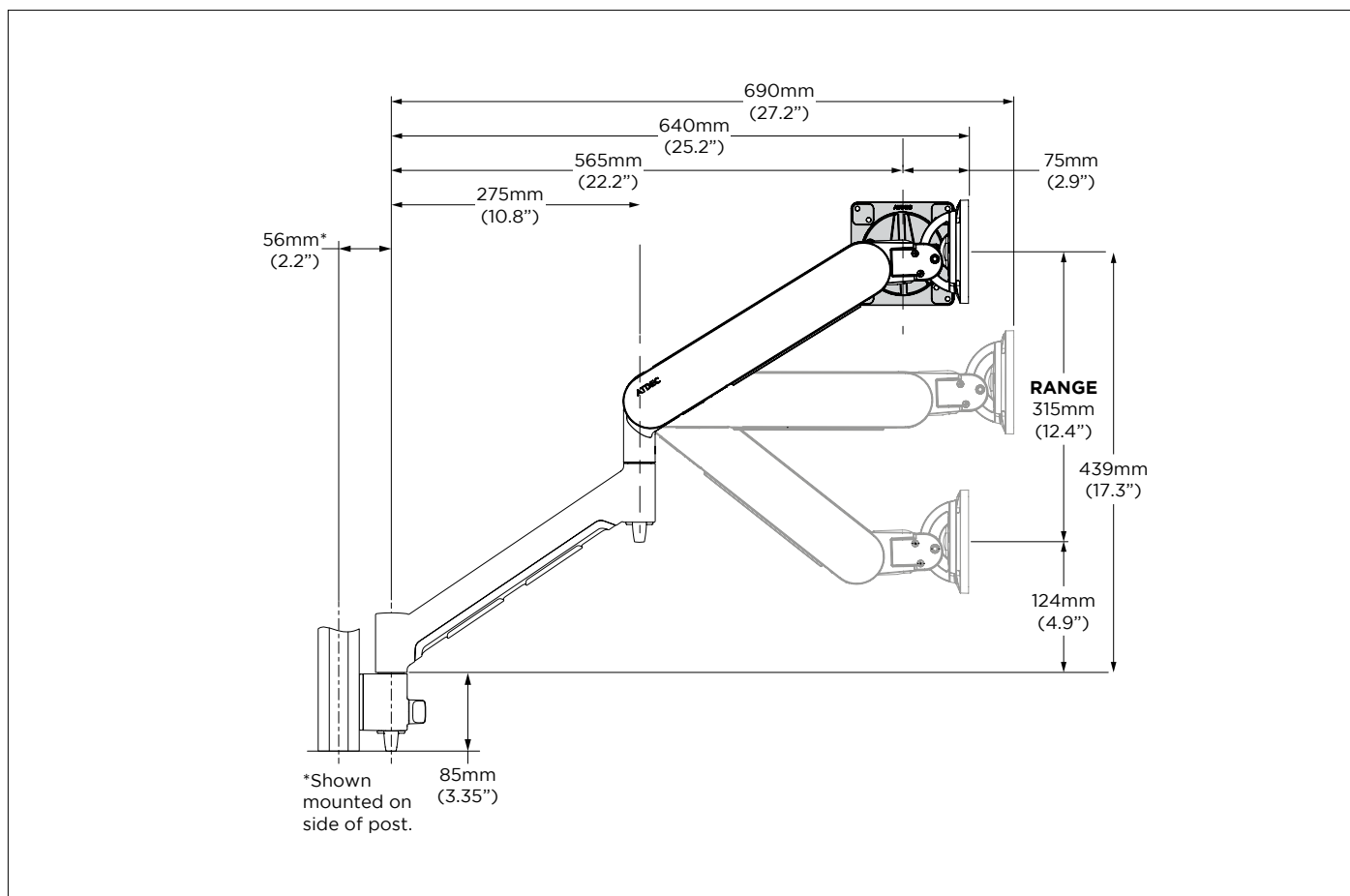
 <p>Joint Movement 360°</p> <p>Pan Movement 360°/180°</p> <p>Dynamic Vertical Height Adjustment</p> <p>45°</p> <p>40°</p> <p>Joint Movement 360°/180°</p>	<p>CAPACITY</p> <p>Flat Monitors 6-14kg (13.5-31lb)</p> <p>Curved Monitors 6-12kg (13.5-26.5lb)</p> <p>Monitor weight should be within the weight range of all modular elements that make up the complete monitor mounting solution.</p>
<p>NOTE</p> <ul style="list-style-type: none"> Not compatible with AWM Wall Channels and posts taller than 400mm (15.75") Desk fixing sold separately Head sold separately 	<p>Warranty</p> <p>10 years limited</p>

Heavy Duty Dynamic Arm Solution AWMS-HXB-H--V

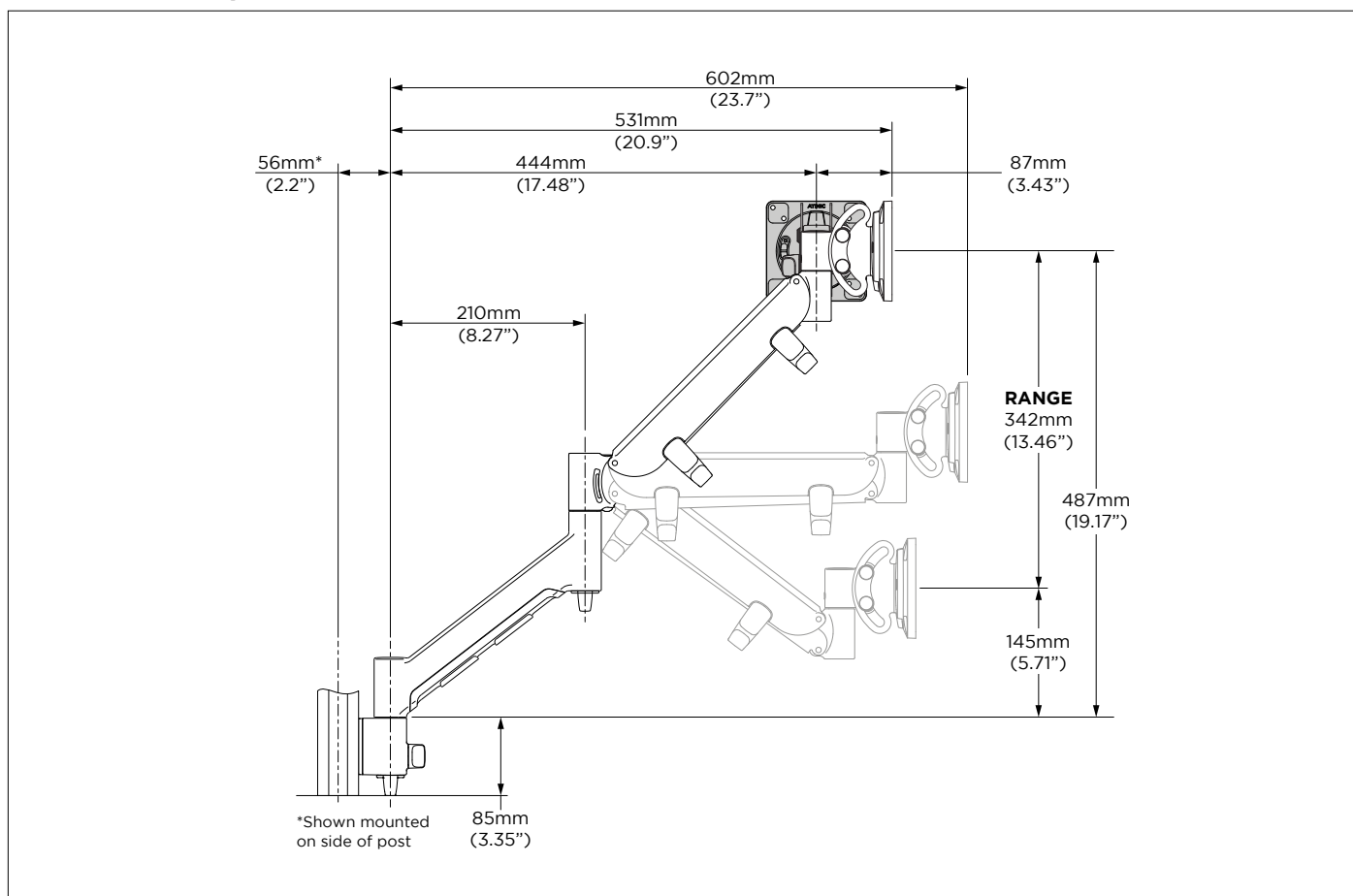
<p>IMPORTANT</p> <ul style="list-style-type: none"> Overall weight range for flat displays 6-16 kg (13-35 lbs). Overall weight range for curved displays 6-12 kg (13-26.5 lbs). Ensure the overall solution is rated to support combined weight of all products and attached displays/devices. Compatible with VESA 75x75mm and 100x100mm hole pattern compliant devices. 10 years limited warranty (parts and workmanship). For further details refer to the Fortis Monitor Arm - AWMS-HXB-H--V Technical Specifications document. 	
--	---

DYNAMIC ARMS DIMENSIONS

AWM Dynamic Arm for Post AWM-ADTC

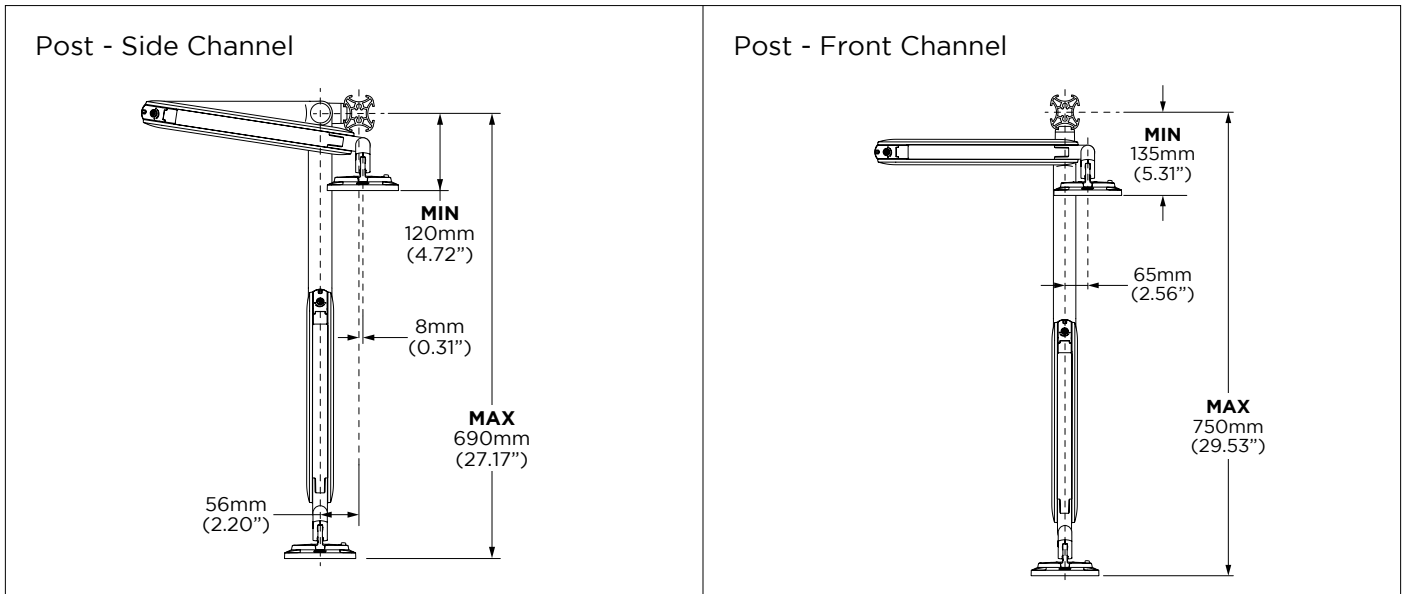


Heavy Duty Dynamic Arm AWM-AHX on Channel Clamp AWM-LC with AWM QR HD VESA Tilt Head AWM-LTHT

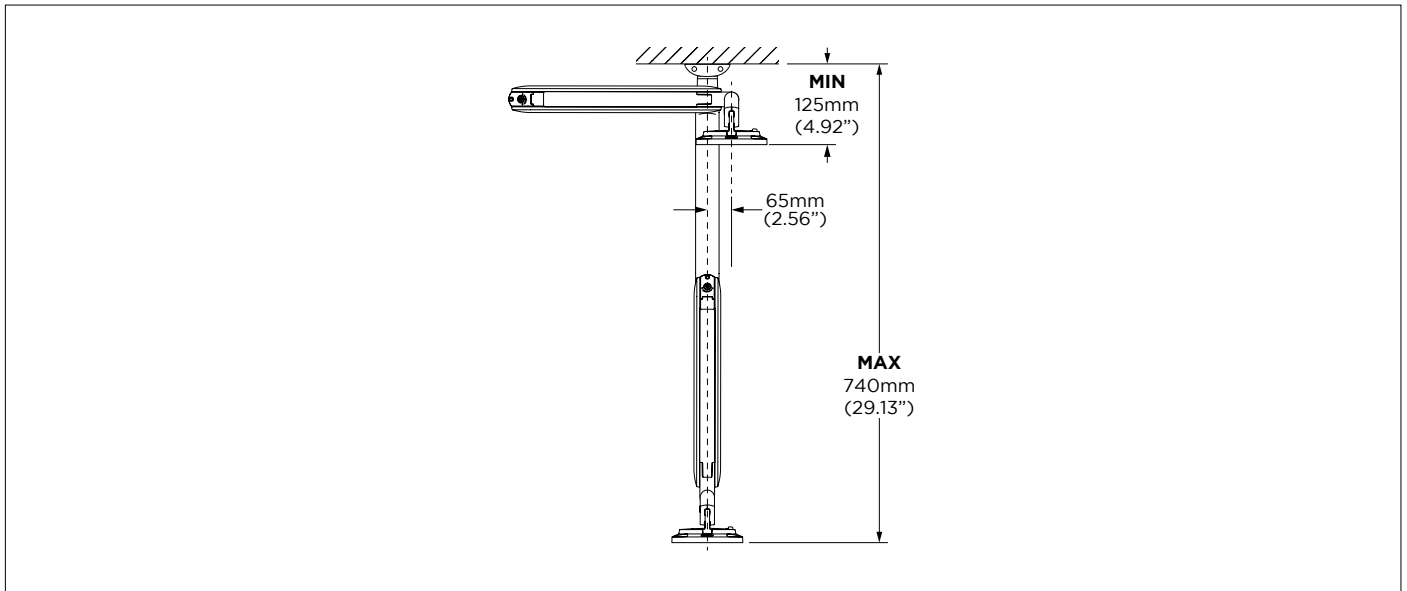


DYNAMIC ARMS DIMENSIONS ON POSTS & WALL CHANNELS

AWM Dynamic Arm for Post AWM-ADTC on Post

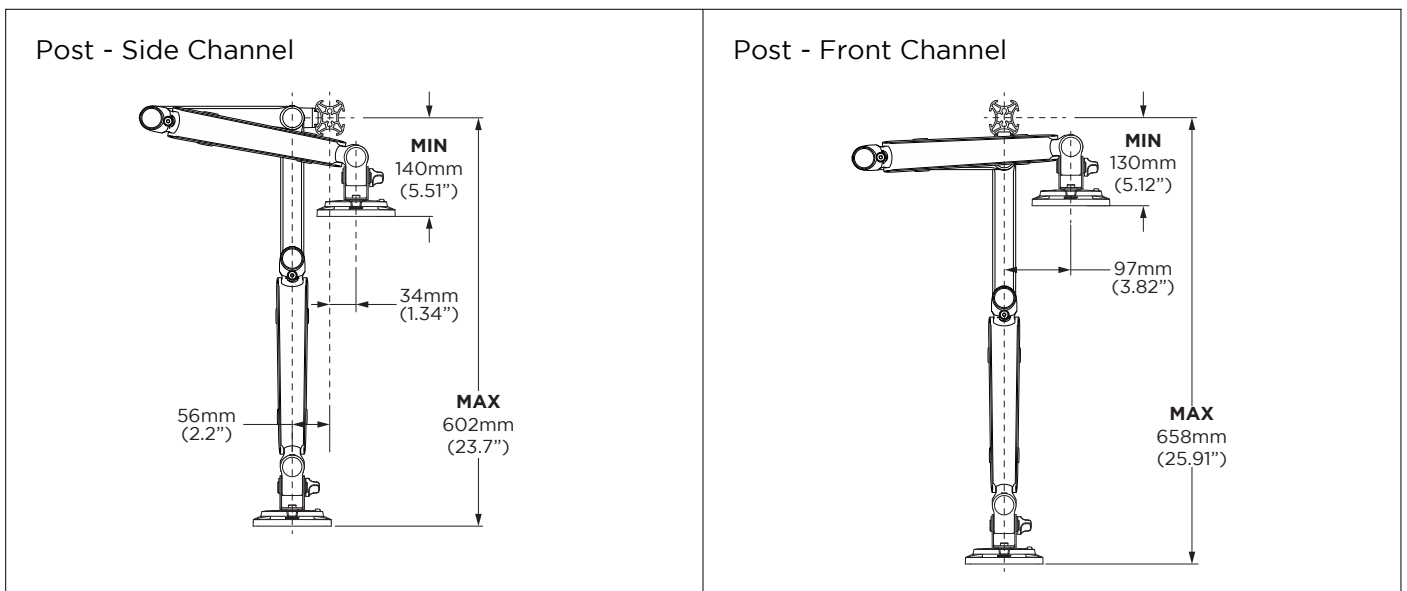


AWM Dynamic Arm for Post AWM-ADTC on Wall Channel



HEAVY DUTY DYNAMIC ARMS DIMENSIONS ON POSTS

Heavy Duty Dynamic Arm AWM-AHX on Posts with AWM QR HD Tilt Head AWM-LTHT

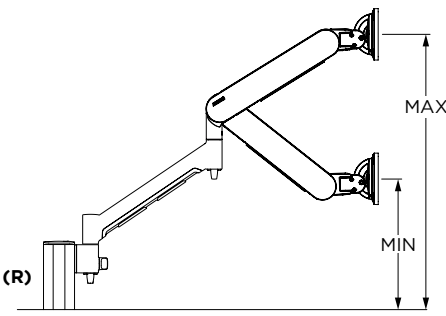
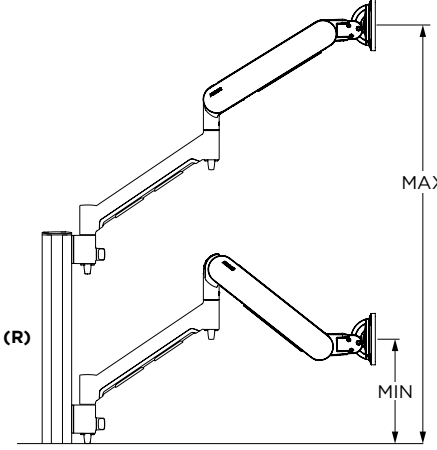
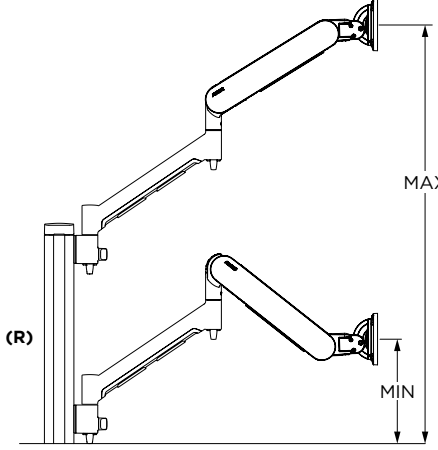
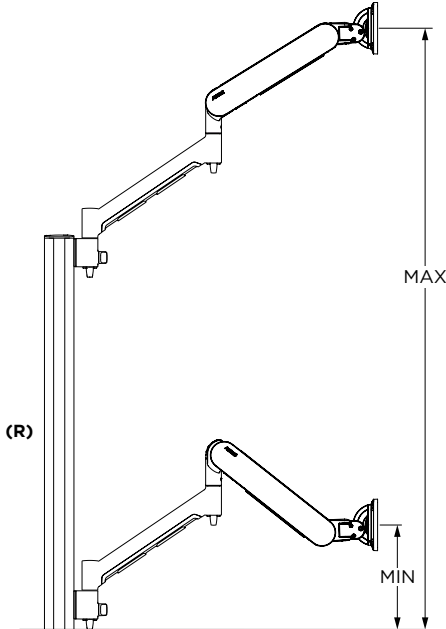
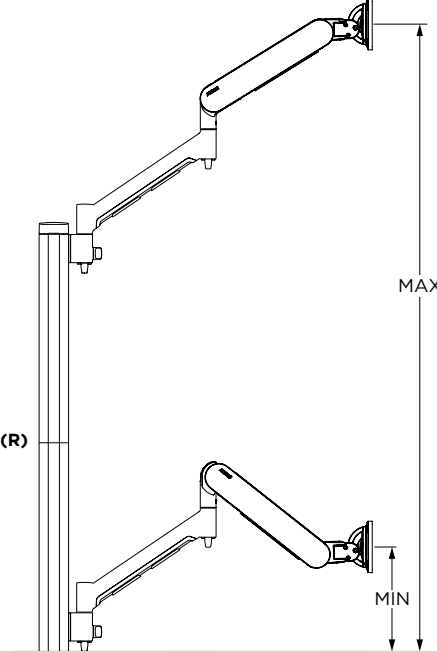


DYNAMIC ARMS HEIGHT ADJUSTMENT ON POSTS & WALL CHANNELS

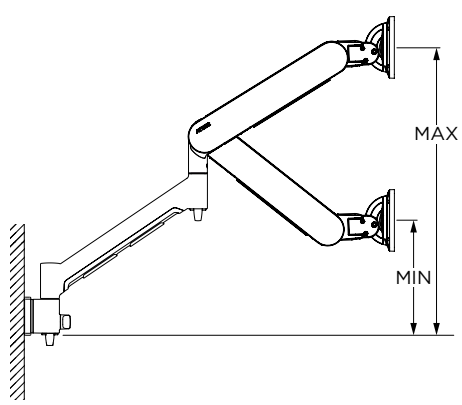
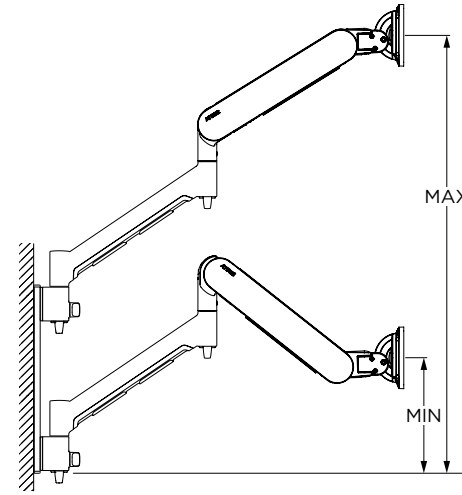
IMPORTANT

- Arm measurements taken from centre of VESA mount.
- Post measurements taken from the bottom of the post. Add thickness of the fixing (see fixings section) to minimum and maximum dimensions.
- Wall Channel measurements taken from bottom of wall channel.
- On posts mounted with the C Clamp (AWM-FC) add 26mm (1.02") to the minimum height.

AWM Dynamic Arm for Post AWM-ADTC on Posts

<p>135 Post AWM-P13</p>  <p>MIN HEIGHT 209mm (8.23") MAX HEIGHT 577mm (22.72") RANGE (R) 368mm (14.49")</p>	<p>400 Post AWM-P40</p>  <p>MIN HEIGHT 209mm (8.23") MAX HEIGHT 842mm (33.15") RANGE (R) 633mm (24.92")</p>	<p>Unstacked 400 Post AWM-P40X</p>  <p>MIN HEIGHT 209mm (8.23") MAX HEIGHT 842mm (33.15") RANGE (R) 633mm (24.92")</p>
<p>750 Post AWM-P75</p>  <p>MIN HEIGHT 209mm (8.23") MAX HEIGHT 1192mm (46.93") RANGE (R) 983mm (38.7")</p>	<p>Stacked 800 Post 2x AWM-P40X + AWM-X40</p>  <p>MIN HEIGHT 209mm (8.23") MAX HEIGHT 1242mm (48.90") RANGE (R) 1033mm (40.67")</p>	

AWM Dynamic Arm for Post AWM-ADTC on Wall Channels

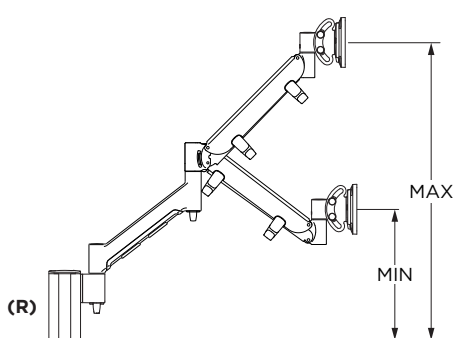
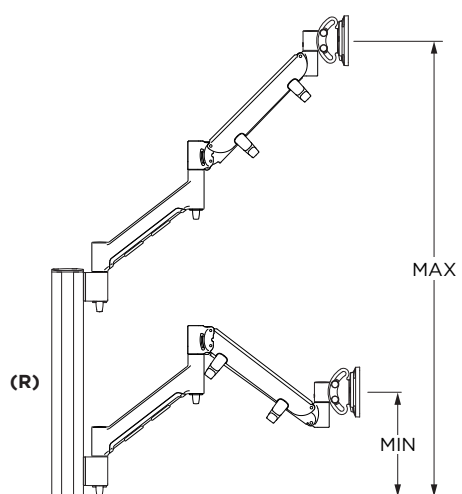
60 Wall Channel AWM-W6	350 Wall Channel AWM-W35
	
<p>MIN HEIGHT 115mm (4.53") MAX HEIGHT 430mm (16.93") RANGE (R) 315mm (12.4")</p>	<p>MIN HEIGHT 115mm (4.53") MAX HEIGHT 728mm (28.66") RANGE (R) 613mm (24.13")</p>

HEAVY DUTY DYNAMIC ARMS HEIGHT ADJUSTMENT ON POSTS

IMPORTANT

- Arm measurements taken from centre of VESA mount.
- Post measurements taken from the bottom of the post. Add thickness of the fixing (see fixings section) to min and max dimensions.
- On posts mounted with the C Clamp (AWM-FC) add 26mm (1.02") to the minimum height.

Heavy Duty Dynamic Arm AWM-AHX on Posts

135 Post AWM-P13	400 Post AWM-P40
	
<p>MIN HEIGHT 230mm (9.06") MAX HEIGHT 617mm (24.29") RANGE (R) 342mm (13.46")</p>	<p>MIN HEIGHT 230mm (9.06") MAX HEIGHT 887mm (34.92") RANGE (R) 657mm (25.87")</p>

POST DIMENSIONS

Top View

OPTIONAL Cable cover and clip

M8 FIXING HOLES
20mm (0.79")

TOP VIEW

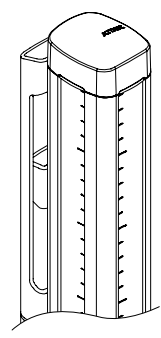
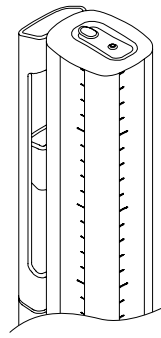
CABLE CLIP - TOP VIEW

CABLE COVER - TOP VIEW

NOTE Fits approximately six 7mm (7/64") cables

NOTE Fits approximately ten 7mm (7/64") cables

40mm (1.57")
23mm (0.91")
51.5mm (2.03")
43.5mm (1.71")
27mm (1.06")
14mm (0.55")
33mm (1.3")
17.5mm (0.69")
28mm (1.10")
180mm (7.09")



135 Post
AWM-P13

Total Height
141mm (5.55")

Channel Height
135mm (5.31")

Compatible Fixings
Bolt Through Kit
AWM-FB
C Clamp AWM-FC
F Clamp AWM-FF
HD F Clamp
AWM-FH
Grommet Clamp
AC-GC

400 Post
AWM-P40G

Total Height
406mm (15.98")

Channel Height
400mm (15.75")

Compatible Fixings
Bolt Through Kit
AWM-FB
C Clamp AWM-FC
F Clamp AWM-FF
HD F Clamp
AWM-FH
Grommet Clamp
AC-GC

Unstacked 400 Post
AWM-P40X

Total Height
421mm (16.57")

Channel Height
400mm (15.75")

Compatible Fixings
HD F Clamp
AWM-FH
Grommet Clamp
AC-GC

750 Post
AWM-P75G

Total Height
756mm (29.76")

Channel Height
750mm (29.53")

Compatible Fixings
HD F Clamp
AWM-FH
Grommet Clamp
AC-GC

Stacked 800 Post
2x AWM-P40X + AWM-X40

Total Height
821mm (32.32")

Channel Height
800mm (31.5")

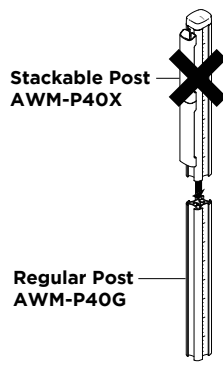
Compatible Fixings
HD F Clamp
AWM-FH
Grommet Clamp
AC-GC

AWM Post 40 Stackable AWM-P40X with AWM Stack Kit 40 AWM-X40

Stacking Compatibility

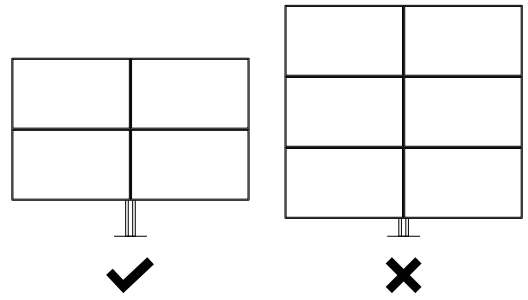
Stack kits (AWM-X40) can only be used with stackable post (AWM-P40X).

A stack kit **cannot** be used to extend an existing regular AWM post (i.e. AWM-P40G, AWM-P75G).



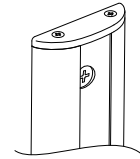
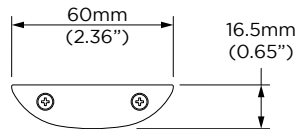
Monitor Row Limit

Stacked posts only support two rows of monitors. Mounting three rows of monitors may result in instability of the mount.

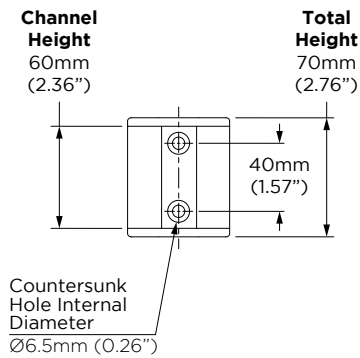


WALL FIXINGS DIMENSIONS

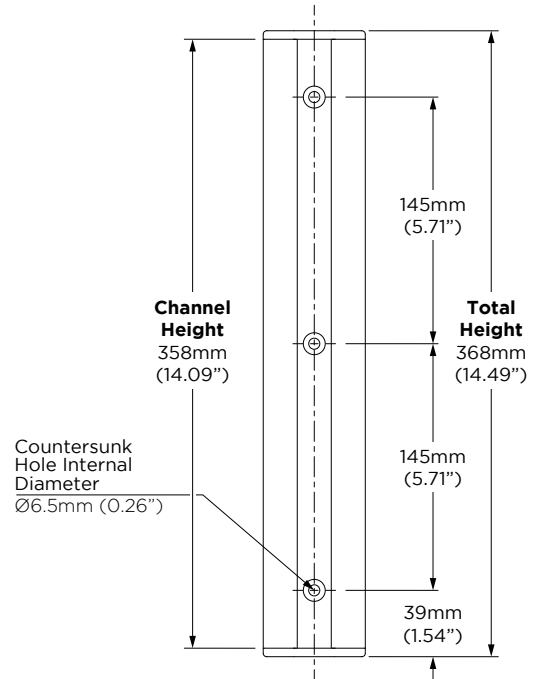
Top View



60 Wall Channel AWM-W6

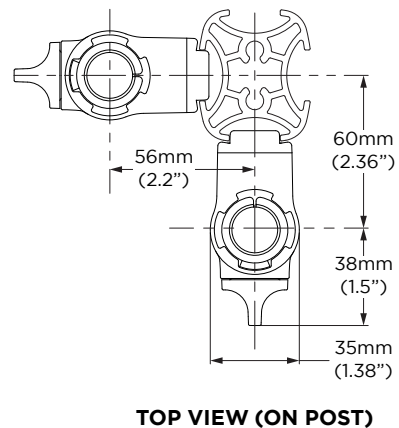
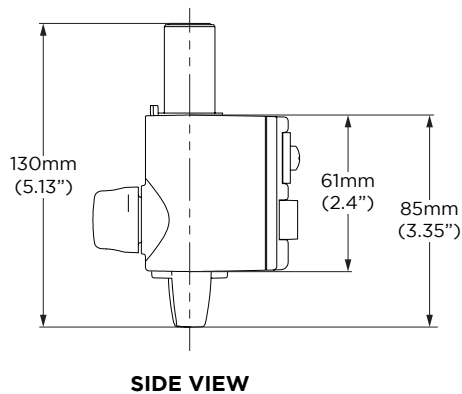


350 Wall Channel AWM-W35



ARM FIXINGS DIMENSIONS

Channel Clamp AWM-LC

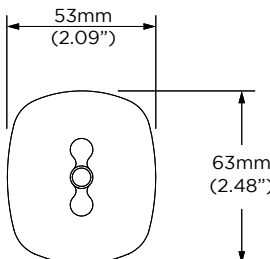
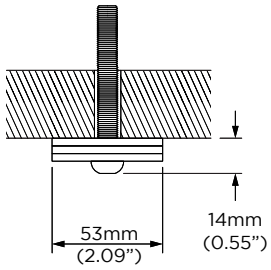
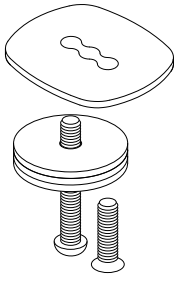
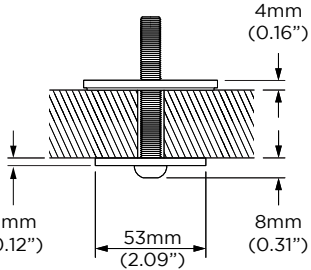
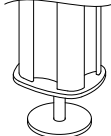
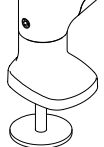
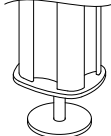
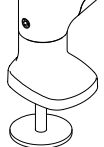
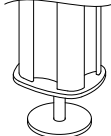
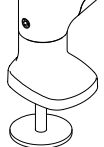


FIXINGS

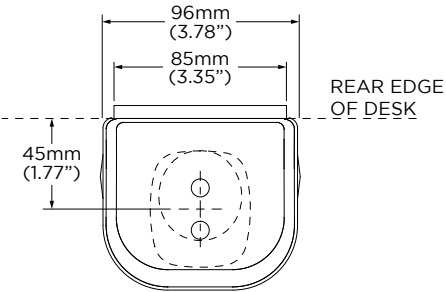
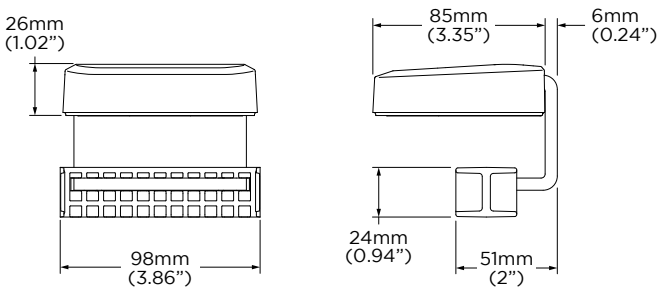
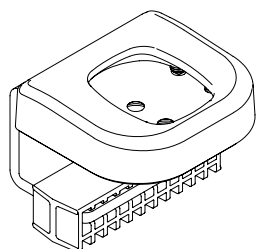
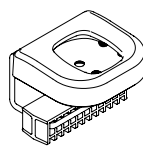
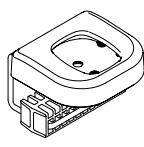
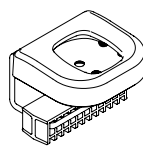
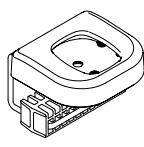
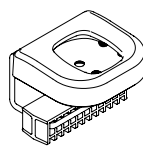
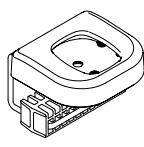
IMPORTANT

- Any mounting surface must be capable of supporting the combined weight of all products and attached displays/devices.
- Monitor weight should be within the weight range of all modular elements that make up the complete mounting solution.
- All fixings are sold separately.

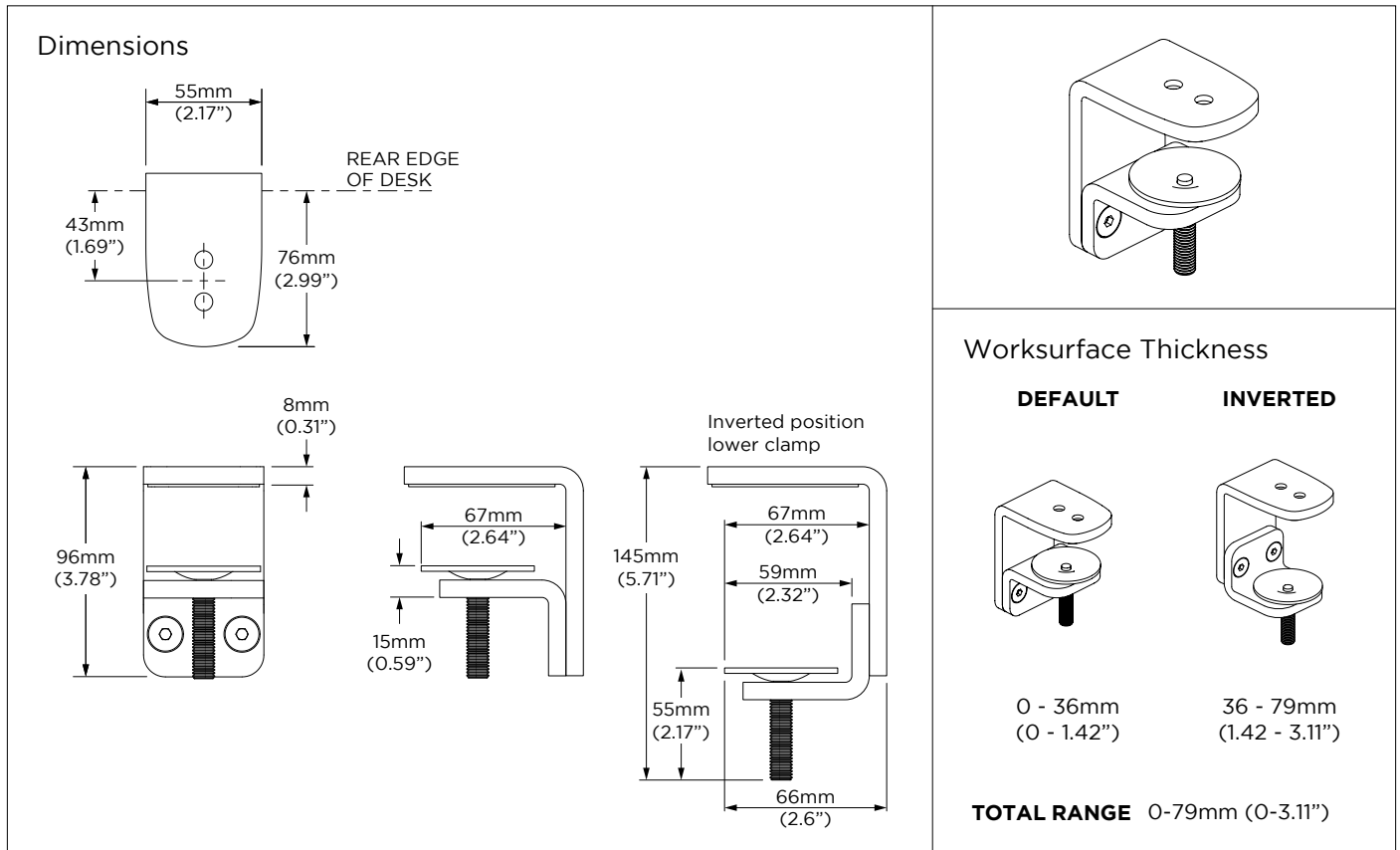
Bolt Through Kit AWM-FB

<p>Top View</p> 	<p>Arm Base (3 washer) Installation</p> 							
<p>NOTE: This desk fixing is not compatible with AWM-P75G, the Stacked P40X Posts (x2 AWM-P40X + AWM-X40) or the heavy duty range.</p> <p>Please use the AC-GC Grommet Clamp as a bolt-through kit for AWM-P75G and the Stacked P40X Posts (x2 AWM-P40X + AWM-X40) and the heavy duty range.</p>	<p>Post Installation</p> 	<p>Worksurface Thickness</p> <table border="1"> <thead> <tr> <th>POST</th> <th>ARM BASE</th> </tr> </thead> <tbody> <tr> <td></td> <td></td> </tr> <tr> <td>0 - 33mm (0 - 1.3")</td> <td>15 - 33mm (0.59 - 1.3")</td> </tr> </tbody> </table>	POST	ARM BASE			0 - 33mm (0 - 1.3")	15 - 33mm (0.59 - 1.3")
POST	ARM BASE							
								
0 - 33mm (0 - 1.3")	15 - 33mm (0.59 - 1.3")							

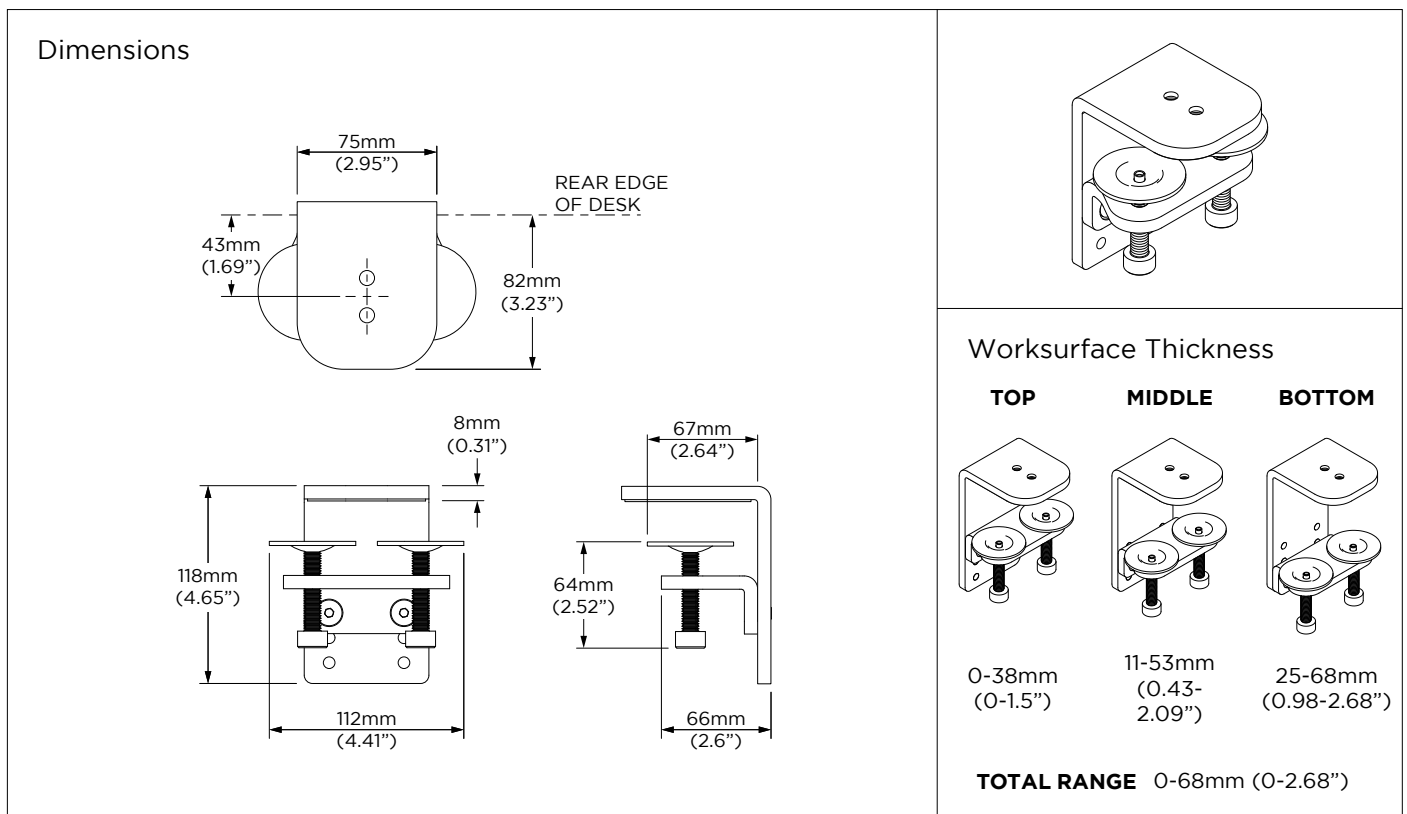
C Clamp AWM-FC

<p>Dimensions</p>  	 <p>Worksurface Thickness</p> <table border="1"> <thead> <tr> <th>DEFAULT</th> <th>INVERTED</th> </tr> </thead> <tbody> <tr> <td></td> <td></td> </tr> <tr> <td>25 - 33mm (0.98 - 1.3")</td> <td>18 - 25.8mm (0.71"-1.02")</td> </tr> <tr> <td colspan="2">TOTAL RANGE 18-33mm (0.71-1.3")</td> </tr> </tbody> </table>	DEFAULT	INVERTED			25 - 33mm (0.98 - 1.3")	18 - 25.8mm (0.71"-1.02")	TOTAL RANGE 18-33mm (0.71-1.3")	
DEFAULT	INVERTED								
									
25 - 33mm (0.98 - 1.3")	18 - 25.8mm (0.71"-1.02")								
TOTAL RANGE 18-33mm (0.71-1.3")									

F Clamp AWM-FF



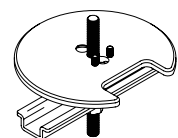
Heavy Duty F Clamp AWM-FH



Grommet Clamp AC-GC

IMPORTANT

- The Grommet Clamp fixing is compatible with AWM Series Post and Arm Base products.
- Ensure the overall solution is rated to support the combined weight of all products and attached displays/devices.
- For further details refer to the Grommet Clamp Technical Specifications document.



Slat Wall Adaptor AWM-WS

<p>Dimensions</p> <p>IMPORTANT Must be used with AWM 60 Wall Channel AWM-W6 (sold separately)</p>	<p>CAPACITY 0-7kg (0-15lb)</p> <p>Monitor weight should be within the weight range of all modular elements that make up the complete monitor mounting solution.</p>
<p>Slat Wall Groove Pitch</p> <p>MIN PITCH 36mm (1.42") MAX PITCH 78mm (3.07")</p>	<p>NOTE Designed for use with desking slat walls and tool rails.</p> <p>Also suits Atdec ADB Rails</p> <ul style="list-style-type: none"> • ADB-R48 • ADB-R68 • ADB-R125 • ADB-R175 <p>Warranty 10 years limited</p>

Single Wall Bracket AWM-W

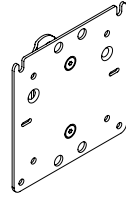
<p>Hole suits fixings with 8mm (5/16") thread or shank</p> <p>FRONT VIEW 18mm (0.71") 51mm (2.01") 135mm (5.31") 170mm (6.69") 58mm (2.28") 70mm (2.76")</p> <p>SIDE VIEW 53mm (2.07") 11mm (0.43")</p> <p>FASTENER HOLE CROSS-SECTION 6mm (0.24") Ø18.5mm (0.73") 5mm (0.20")</p>	<p>CAPACITY 0-18kg (0-40lb)</p> <p>Monitor weight should be within the weight range of all modular elements that make up the complete monitor mounting solution.</p> <p>NOTE</p> <ul style="list-style-type: none"> • Supplied with wall mounting fasteners to suit timber stud wall constructions. • Compatible with AWM Series monitor arms, including AWM-AHX Heavy Duty Dynamic Arm. <p>Warranty 10 years limited</p>
---	--

ACCESSORIES

Mini PC Mount Plate AC-MP

IMPORTANT

- Maximum weight load 5kg (11 lbs).
- The Mini PC Mount Plate is compatible with all AWM Post and Wall Channel products.
- The Mounting Plate can be placed at any height on the Post or Wall Channel as desired.
- Compatible with Intel NUC® devices and VESA 75x75mm and 100x100mm hole pattern compliant devices.
- Slots allow mounting of NUCs with both 84 and 95mm mounting hole spacings.
- Ensure solution is rated to support combined weight of all products and attached displays/devices.
- 10 years limited warranty (parts and workmanship).
- For further details refer to the Mini PC Mount Plate - AC-MP Technical Specifications document.



Laptop Tray AWM-N

IMPORTANT

- Overall weight range 1-7 kg (2.2-15.4 lbs).
- The Laptop Tray is compatible with all AWM Standard series arms (AWM-A13T, AWM-A46T, AWM-A71T, AWM-ADTC) and the Ora range products (AW-ORA).
- The Laptop Tray is not compatible with the AWM QR Tilt Head (AWM-LTHT).
- Ensure solution is rated to support combined weight of all products and attached displays/devices.
- 10 years limited warranty (parts and workmanship).
- For further details refer to the Laptop Tray - AWM-N Technical Specifications document.

