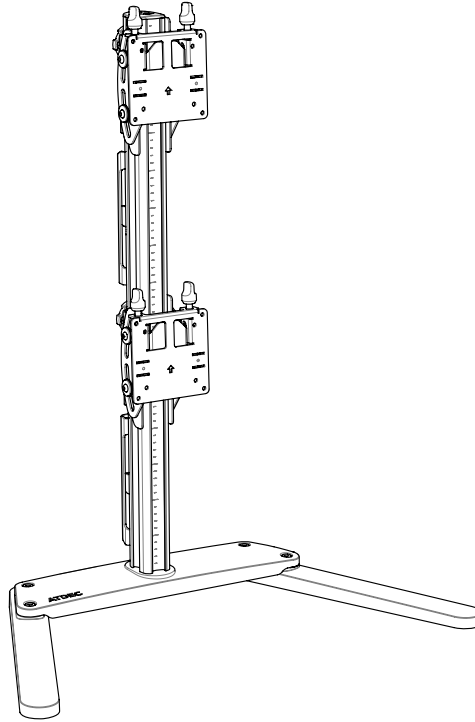
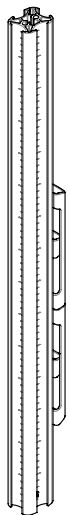


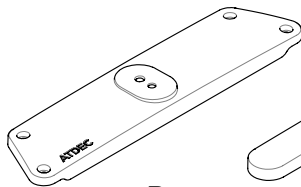
## Freestanding HD Dual Vert



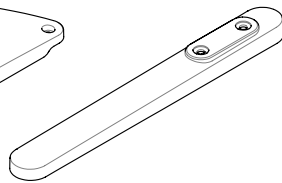
### COMPONENT CHECKLIST



**A**  
Post  
(x1)



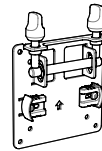
**B**  
Bridge  
(x1)



**C**  
Leg  
(x2)



**D**  
Bracket  
(x2)



**E**  
VESA Plate  
(x2)



**F**  
4mm/6mm  
Hex Key  
(x1 each)



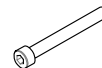
**G**  
M8x30mm  
Cap Screw  
(x4)



**H**  
M8 Nut  
(x4)



**I**  
M8 Washer  
(x2)



**J**  
M8x80  
Cap Screw  
(x2)



**K**  
Post Cap  
(x1)



**L**  
M4x10 Screw  
(x8)



**M**  
M4x20 Screw  
(x8)



**N**  
10mm Spacer  
(8x)

Desk 

### REQUIRED TOOLS

- Phillips Head Screwdriver

### CAPACITY

**Flat Monitor**  
4.5 - 25kg (10 - 55lb)

**Curved Monitor**  
4.5 - 18kg (10 - 39lb)

**Display Size**  
24" - 55"  
300mm (12") max overall  
display depth

### IMPORTANT INFORMATION

! **Product should only be assembled and used as per these installation instructions.**

! The manufacturer accepts no responsibility for incorrect installation.

! Each Bracket supports a maximum weight as per above capacity specification.

! This product is not suitable for outdoor use.

! Do not use this product for mobile applications.

! Do not move stand with screens attached.

! VESA mounted accessories (such as mini PC brackets and mounts), and offset VESA locations exert additional leverage that can exceed the capacity of the mount even though the monitor weight may be within the stated range. Please contact Atdec if you would like further information.

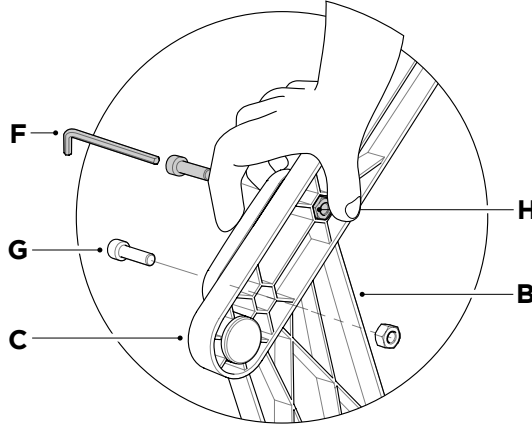
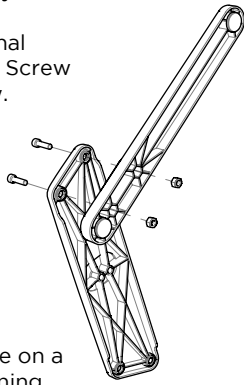
! **WARNING!** Death or serious injury may occur if a child climbs on or tips product. Anchor product if applicable. Never place product in an unstable location.

# 1. Assemble Base

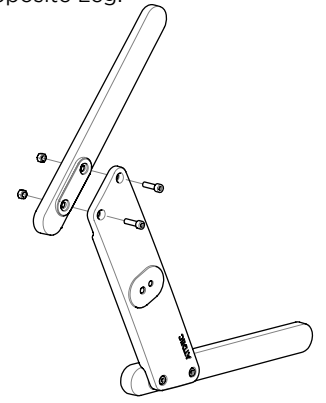
**1.1** Align Bridge holes and Leg holes. Use 6mm Hex Key.

Hold M8 Nut in hexagonal recess until M8x30 Cap Screw engages. Tighten screw.

**NOTE:**  
Rest short end of Bridge on a soft surface while fastening



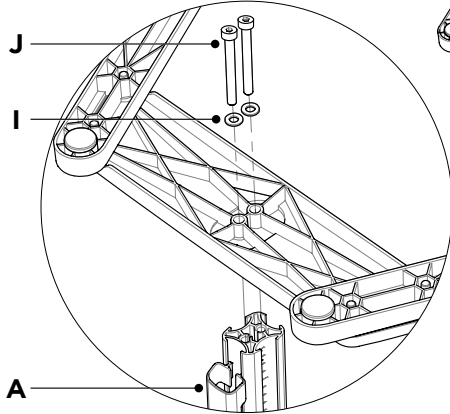
**1.2** Repeat on opposite Leg.



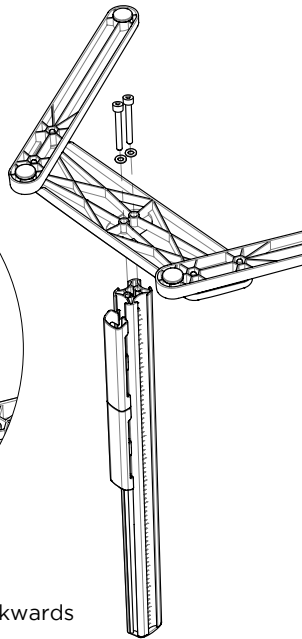
# 2. Attach Post to Base

**2.1** Insert M8x80 Cap Screws (x2) through M8 Washers and holes in Base then fasten to Post.

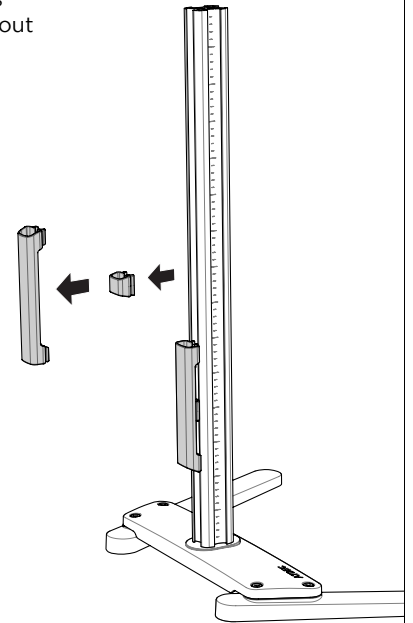
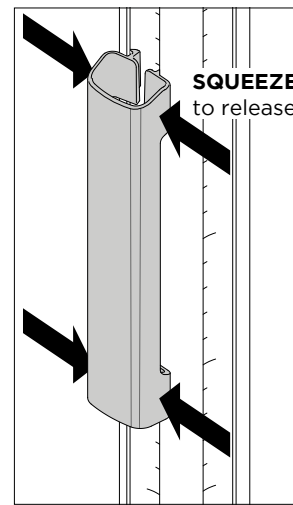
Tighten firmly.



**NOTE:**  
Assemble with Cable Covers facing backwards (Towards the small side of Base)



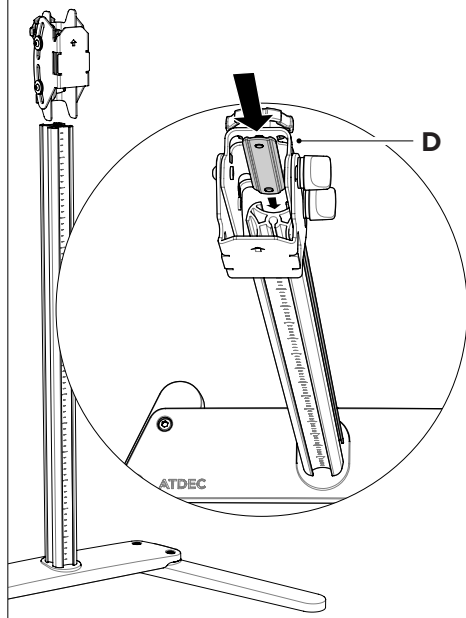
**2.2** Remove clips and covers from post by sliding up and out or by squeezing sides.



# 3. Slide Brackets onto Post and Set Height

**3.1** Line up the inner guide on rear of Bracket with rear channel on Post.

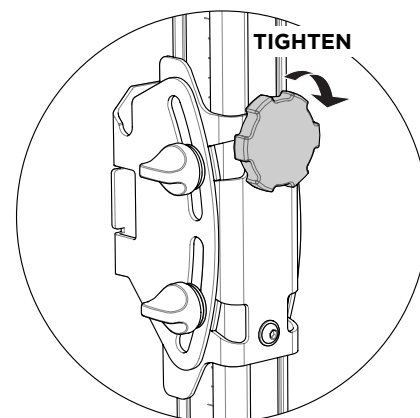
Slide inner guide into channel, then lower Bracket.



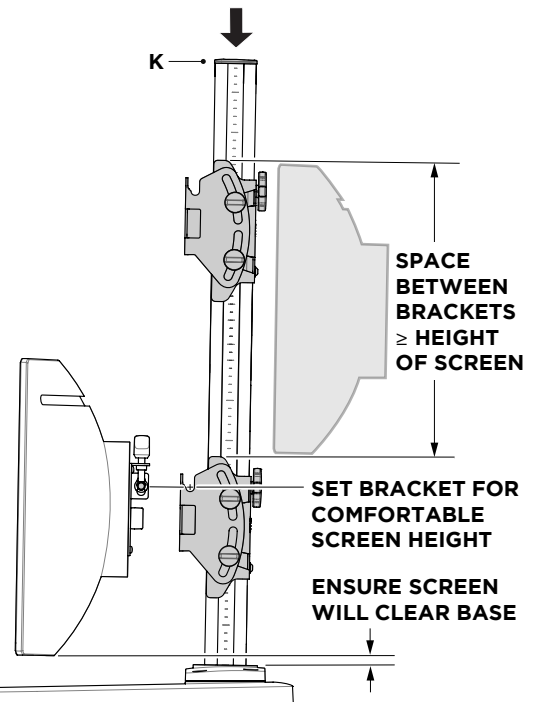
**3.2** Firmly tighten hand knob at chosen height.

Ensure height is sufficient for screen to clear base once in place.

Repeat with second bracket and fit Post Cap.

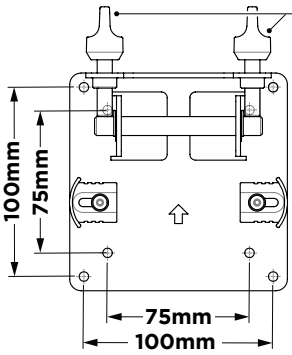


**WARNING:**  
Never loosen knob while display is on bracket



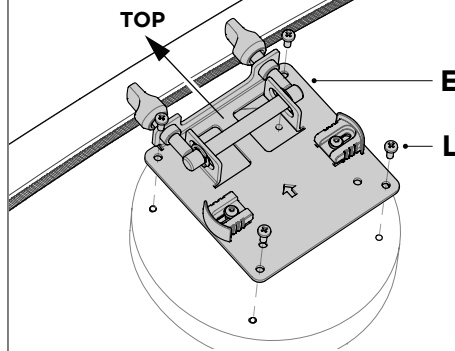
## 4. Attach VESA Plates to Displays

### 4.1 VESA mount compatibility

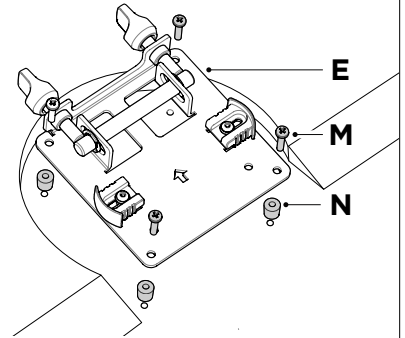


**NOTE:**  
For 75mm VESA  
unscrew 5mm to  
access top holes

### 4.2 Attach VESA Plate with M4x10 Screws.



**OR** For recessed VESA use 10mm Spacers and M4x20 screws.

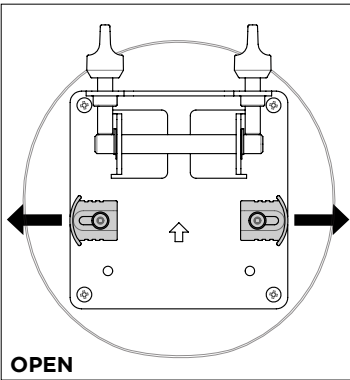


## 5. Mount Bottom Display

### 5.1 Set VESA Plate to open position.

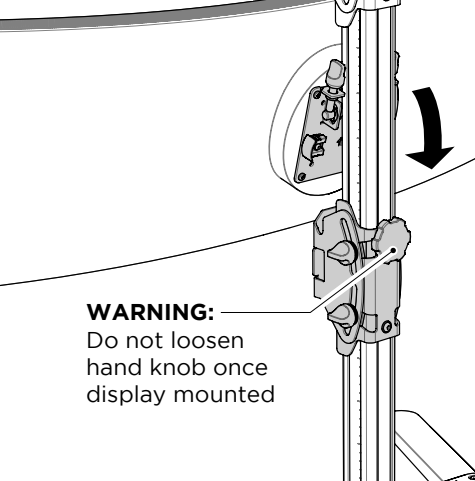
Bottom display must be mounted on Bracket first.

**NOTE:**  
Use two people to install display



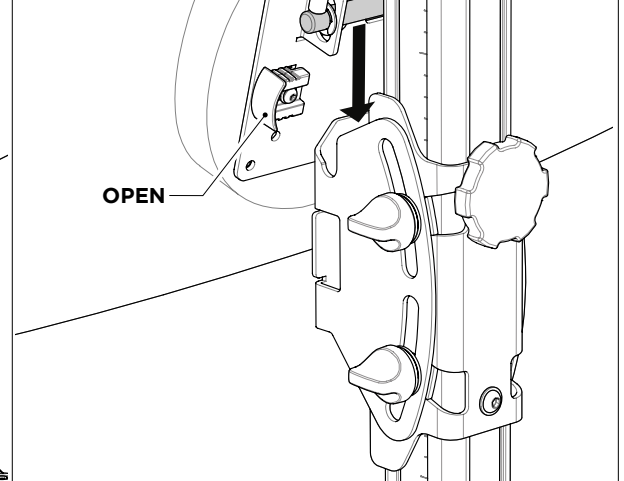
### 5.2 Place stand on the stable surface where it will be used.

Lift display until Vesa Plate is above the Bracket.

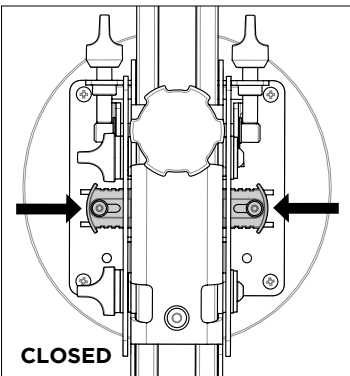


**WARNING:**  
Do not loosen hand knob once display mounted

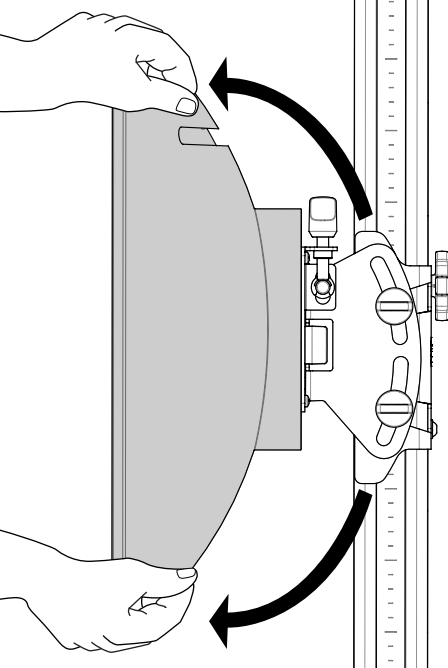
### 5.3 Centre VESA Plate close to Post and slowly lower until bar on VESA Plate sits in saddle in Bracket.



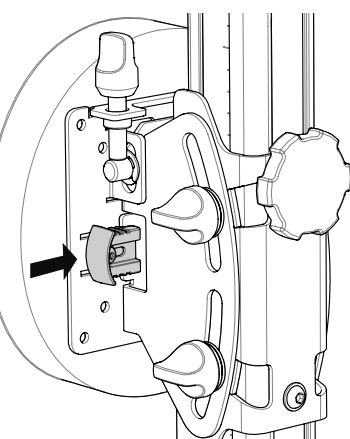
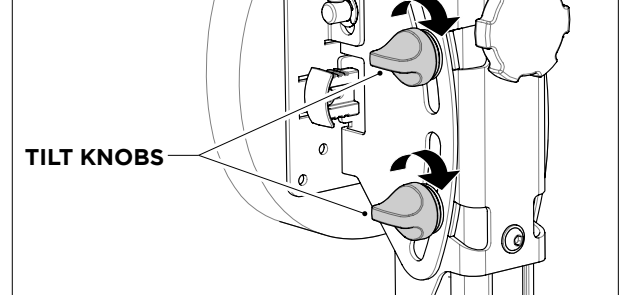
### 5.4 Set VESA Plate to closed position by sliding clips on both sides inwards.



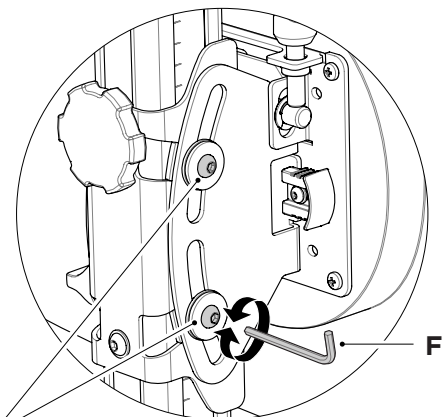
### 5.5 Adjust display tilt angle by gripping edges of screen and rolling up or down to desired position.



### 5.6 Set Display angle by tightening tilt knobs.



**OPTIONAL ADJUSTMENT - TILT FRICTION**  
4mm Hex Key can be used to reduce tilt friction (for light screen) or increase tilt friction (for heavy screen)



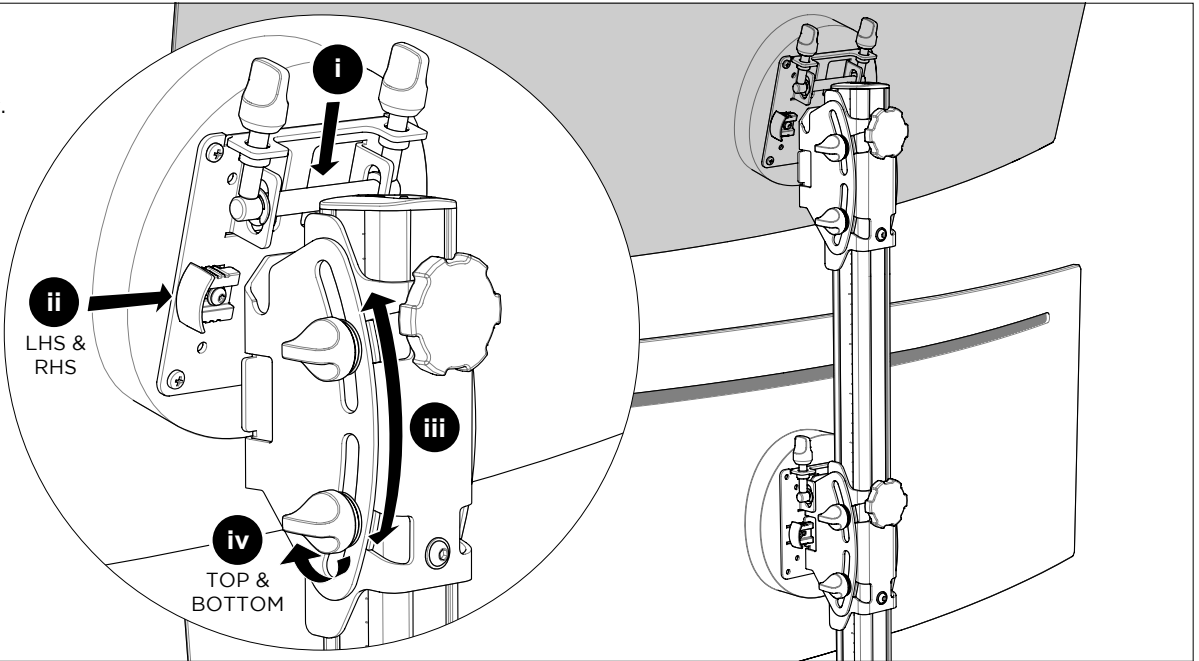
Clockwise = More friction  
Anticlockwise = Less friction

## 6. Mount Top Display

**6.1** Check that distance between Brackets is equal to or greater than the height of the display.

Repeat Step 5 to mount top display and set tilt angle.

- i** Lower
- ii** Close
- iii** Adjust angle
- iv** Set angle

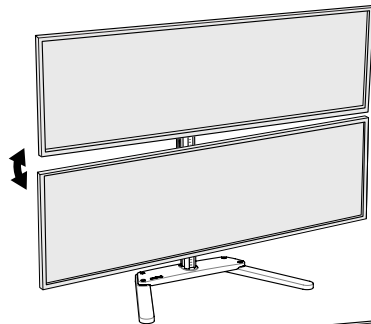


## 7. Fine Adjustment

**7.1** To correct horizontal angle of display +/- 3°:

Turn a single fine adjustment knob to adjust angle of screen.

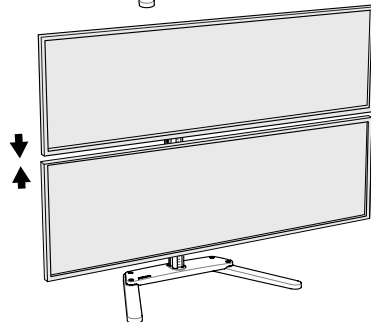
Clockwise = Higher  
Anti-clockwise = Lower



**7.2** To close small gap between displays +/-6mm (1/4"):

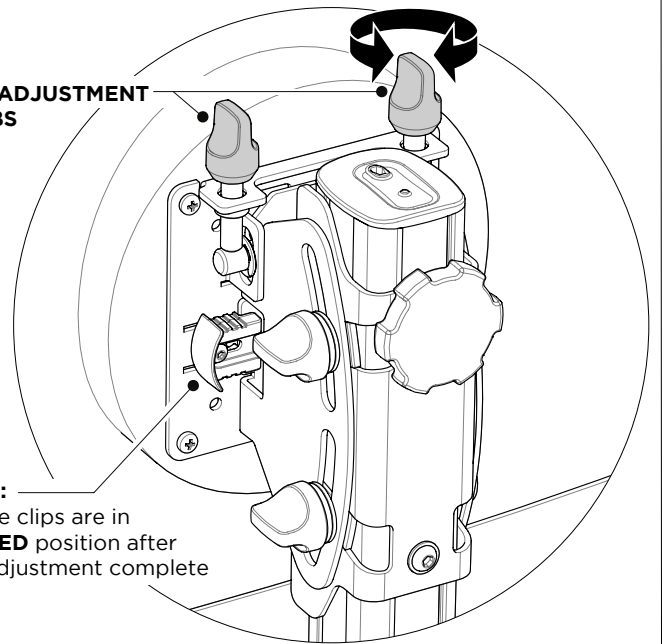
Turn both fine adjustment knobs - alternating sides a few rotations at a time.

Clockwise = Higher  
Anti-clockwise = Lower



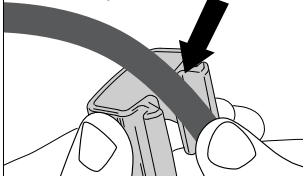
**FINE ADJUSTMENT KNOBS**

**NOTE:**  
Ensure clips are in **CLOSED** position after fine adjustment complete

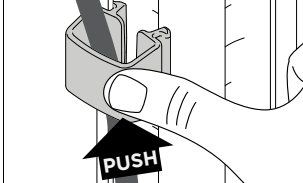


## 8. Manage Cables

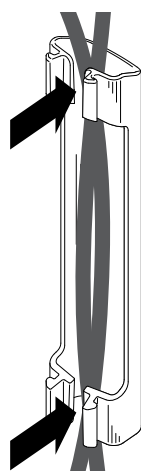
**8.1a** Load cables into cable clip.



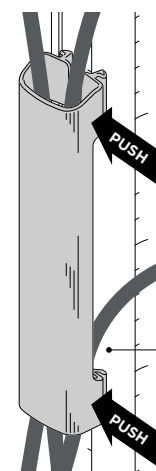
**8.1b** Insert one side of the cable clip into a channel on the post, then push in the other side.



**8.2a** Load cables into cable cover.



**8.2b** Clip the cable cover back onto rear post channels.



Cables can exit from the side of the cable cover

**WARNING:**  
Always remove screens before moving stand

