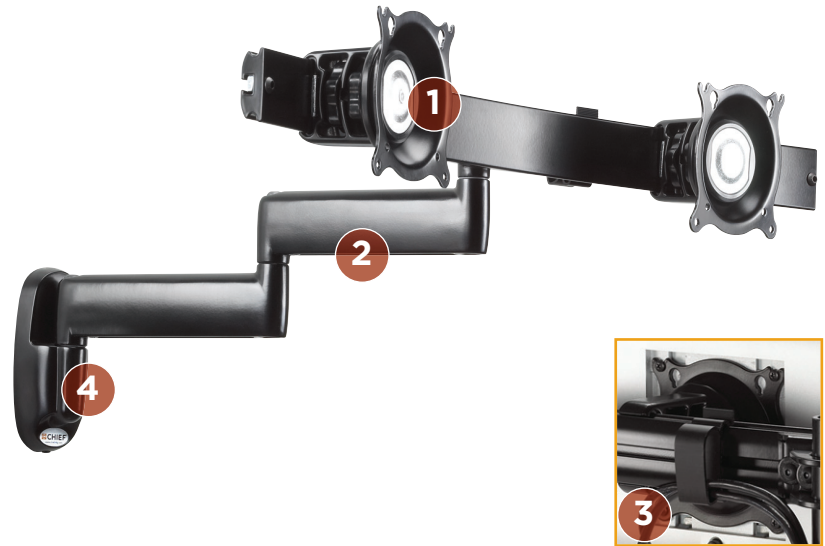




FEATURES

- 1 CENTRIS' TECHNOLOGY**
PATENTED FEATURE
Provides smooth fingertip tilt in all directions using the screen's center of gravity. Screen angle stays set until you decide to readjust.
- 2 ULTIMATE FLEXIBILITY**
Maximum range of motion from low profile to full extension.
- 3 ADVANCED DISPLAY MOUNTING**
Teardrop hole pattern makes mounting the screen quick and easy.
- 4 COMPATIBLE WITH OFFICE FURNITURE**
Custom OFB office furniture interface brackets available for most office systems. OFB brackets sold separately.



SPECIFICATIONS

Depth from Wall	6.4" (163 mm)
Max. Extension	14.3" (363 mm)
Tilt	±15°
Weight Capacity	16.5 lbs (7.5 kg)
Max. Screen Width	22.7" (577 mm)
Colors	Black, Silver

WHAT YOU NEED TO KNOW

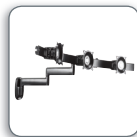
INSTALLING THE MONITOR MOUNT

The screens width must not exceed 22.7" (577 mm).

OFFICE FURNITURE SYSTEMS

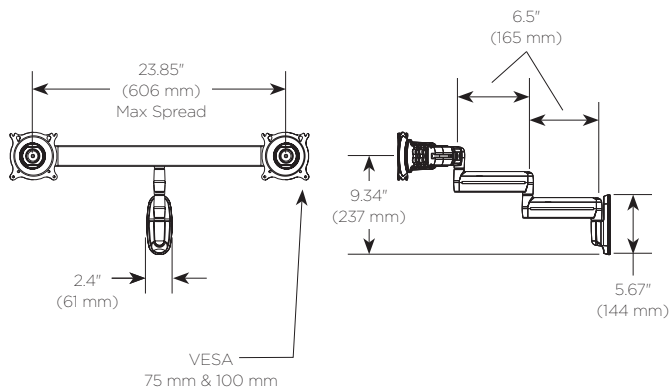
Compatible with custom and universal Interface Brackets for Office Furniture Systems (OFB).

OTHER PRODUCT OPTION



KWD320
Dual Arm Wall Mount

TECHNICAL DRAWINGS



RECOMMENDED ACCESSORIES



KSA1002 ■ Desk Mount Adapter



KSA1024 ■ Centris Quick-Connect Interface



KSA1017 ■ Pole Clamp Adapter

For a complete list of monitor mount accessories see page **121**.